

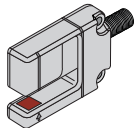
SL10 Series Slot Sensor – 10 mm-wide Slot

Self-contained opposed-mode sensor pair



Features

- An easy-to-use self-contained opposed-mode sensor pair in a rugged U-shaped housing
- Easy and economical to mount
- Molded-in beam guides simplify mounting and beam placement
- 10 mm slot width for a wide variety of sensing applications
- Applications include label detection, hole detection, gear tooth detection, edge guiding, parts detection and counting
- 2 mm effective beam
- 10 to 30V dc operation
- Bipolar PNP/NPN outputs
- Visible red beam
- Choose 1 millisecond or 300 microsecond response
- 4-turn potentiometer sensitivity adjustment
- Dark or light operate
- Choose integral, unterminated cable or QD models



Visible red, 680 nm

Models

Model	Slot Width	Cable*	Supply Voltage	Output Type	Response	Repeatability
SL10VB6V	10 mm (0.4")	2 m (6.5') 5-wire cable	10 to 30V dc	Bipolar NPN (sinking) and PNP (sourcing)	1 millisecond	250 microseconds
SL10VB6VQ		5-Pin Euro-style QD				
SL10VB6VY		2 m (6.5') 5-wire cable			300 microseconds	75 microseconds
SL10VB6VYQ		5-Pin Euro-style QD				

* 9 m (30') cables are available by adding suffix "W30" to the model number of the cabled version (e.g., **SL10VB6V W30**).
A model with a QD connector requires an accessory mating cable. See page 5. therapeutic

WARNING . . . Not To Be Used for Personnel Protection

Never use these products as sensing devices for personnel protection. Doing so could lead to serious injury or death.

These sensors do NOT include the self-checking redundant circuitry necessary to allow their use in personnel safety applications. A sensor failure or malfunction can cause either an energized or de-energized sensor output condition. Consult your current Banner Safety Products catalog for safety products which meet OSHA, ANSI and IEC standards for personnel protection.

SL Series Slot Sensor

Overview

The SL10 Series Slot Sensor (sometimes called a “Fork Sensor”) comprises an opposed-mode emitter and its receiver inside a single convenient housing. Opposed-mode sensing is very reliable, and the single self-contained housing provides easy installation, with no sensor alignment required. In addition, the molded-in arrow on the emitter portion of the housing and the slotted design on the receiver portion of the housing show at a glance the position of the beam, simplifying installation placement.

Sensitivity Adjustment

The sensor’s sensitivity is adjusted by turning the 4-turn clutched Sensitivity potentiometer with a small slotted screwdriver. Apply power to the sensor and and:

1. Set the potentiometer to minimum sensitivity (fully counter-clockwise, 4 full turns or more) and present the Light condition. If the yellow Signal Condition indicator is ON, that is your Light condition sensitivity position. If not, proceed to step 2.
2. Turn the potentiometer clockwise, just until the yellow Signal Condition indicator comes ON; note its position.
3. Present the Dark condition and turn the potentiometer clockwise, just until the yellow Signal Condition indicator comes ON; note its position.
4. For maximum reliability, the difference between these two positions should be at least one full turn. Set your sensitivity midway between the two positions for best sensing results.

If the object to be sensed is very thin and non-metallic, the sensor may emit too much light energy for the object to completely block the beam. To test this, place the object in the sensing position, and decrease the sensitivity until the yellow LED goes OFF. Remove the object; verify that the indicator comes ON solidly. If this does not occur, investigate other sensing alternatives.

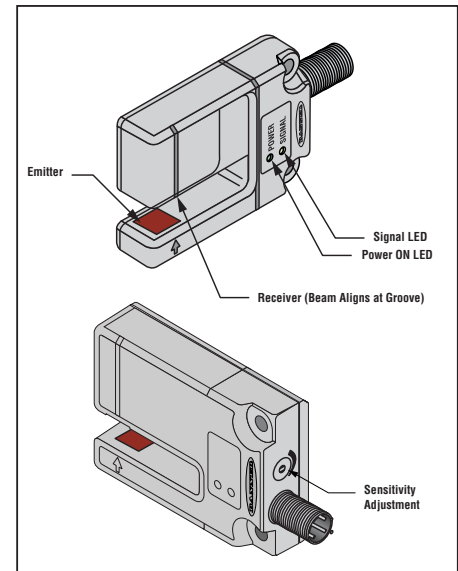


Figure 1. SL10 Series features

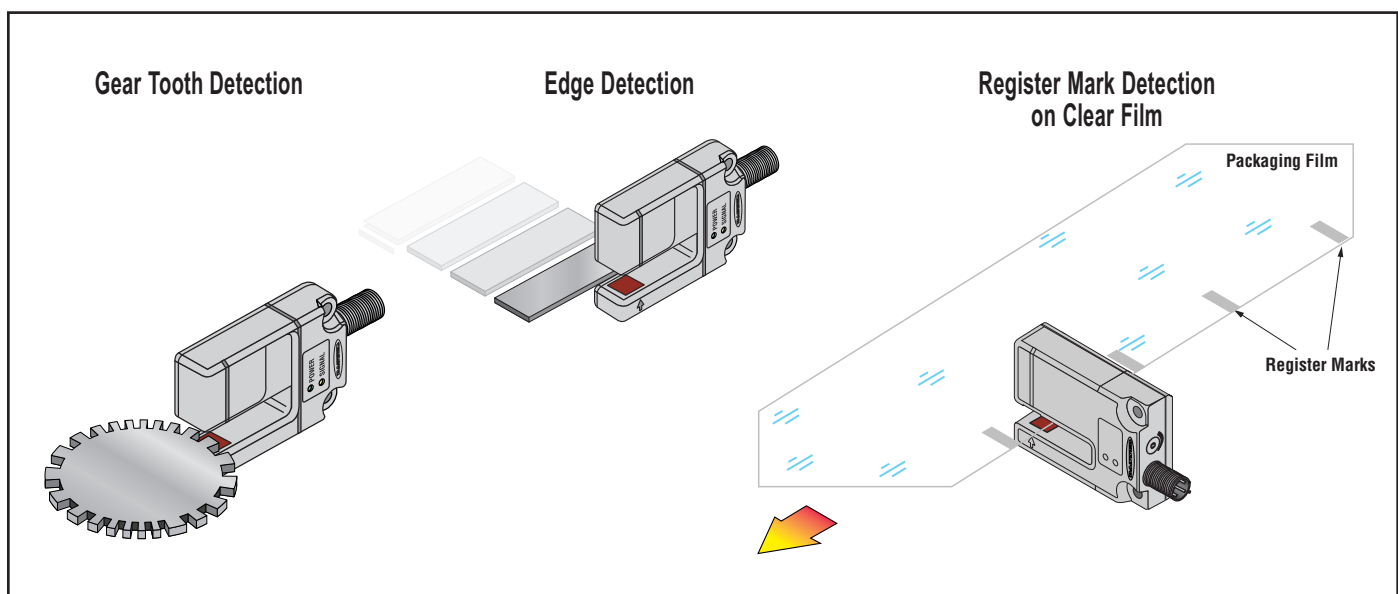


Figure 2. SL10 Series typical applications

SL Series Slot Sensor

Light/Dark Operate Select

Selecting Light or Dark Operate is a simple procedure: connect the gray wire (see hookups, page 4), to +V (10-30V dc) for Dark Operate, and to dc common (or open) for Light Operate.

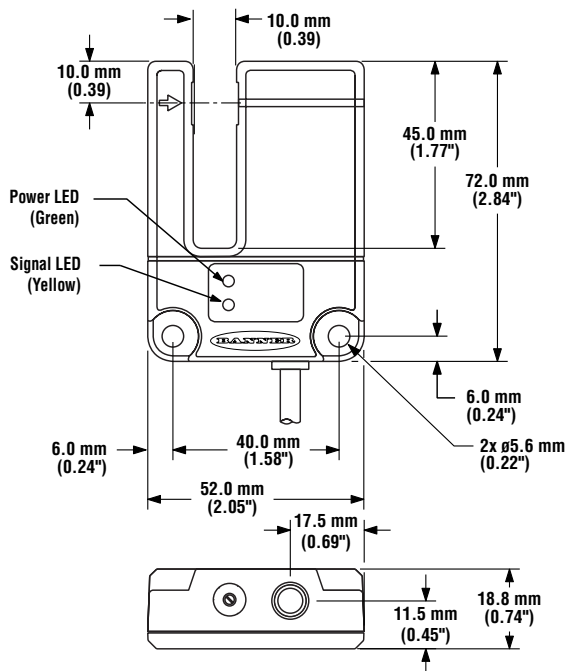
LED Indicators

The Slot Sensor features two LED Indicators: Power (green) and Signal (yellow). They indicate the following:

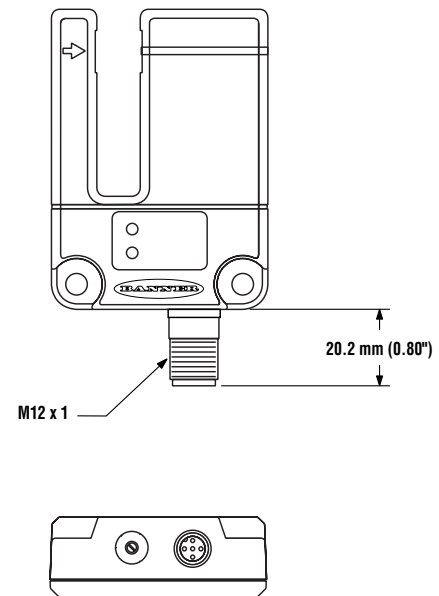
Green ON steady:	Power ON
Yellow ON steady:	Sensor sees light
Yellow flashing:	Excess gain is marginal (1 to 1.5x) in light condition

Dimensions

Cabled Models



Quick-Disconnect Models



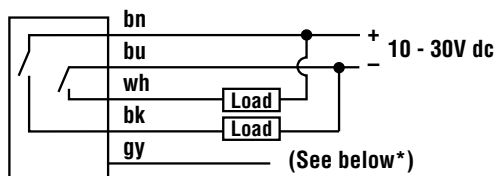
SL Series Slot Sensor

Specifications

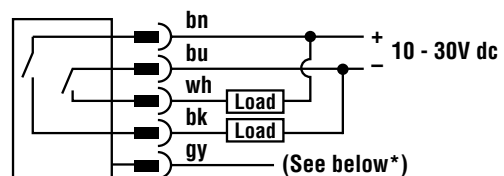
Slot Opening	10 mm (0.4") wide x 45 mm (1.8") deep overall; beam set in 10 mm (0.4") from outer edge
Supply Voltage and Current	10 to 30V dc (10% max. ripple), 30 mA
Supply Protection Circuitry	Protected against reverse polarity and transient voltages
Output Configuration	Bipolar: NPN (current sinking) and PNP (current sourcing)
Output Rating	150mA, each output
Output Protection Circuitry	Protected against false pulse on power-up and short-circuit of outputs
Output Response Time	1 millisecond or 300 microseconds, depending on model
Repeatability	250 microseconds or 75 microseconds, depending on model
Adjustments	4-turn clutched potentiometer sensitivity adjustment
Indicators	Green: Power ON/OFF indicator Yellow: Signal Condition indicator
Construction	Housing: Polycarbonate ABS/polycarbonate blend thermoplastic Lenses: Acrylic
Connections	IP67, NEMA 6
Environmental Rating	2 m (6.5') or 9 m (30') 5-conductor PVC-jacketed attached cable or 5-pin Euro-style quick-disconnect (QD) connector. QD cables are ordered separately; see page 5.
Operating Conditions	Operating Temperature: -40° to +70°C (-40° to +158°F) Maximum relative humidity: 90% @ 50°C (non-condensing)

Hookups

Cabled models



Quick-disconnect models

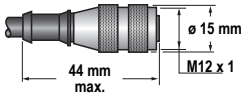
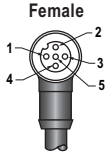
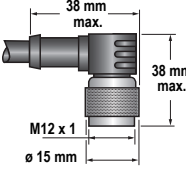


* For Dark Operate, connect gray wire to + (brown).
For Light Operate, connect gray wire to - (blue).

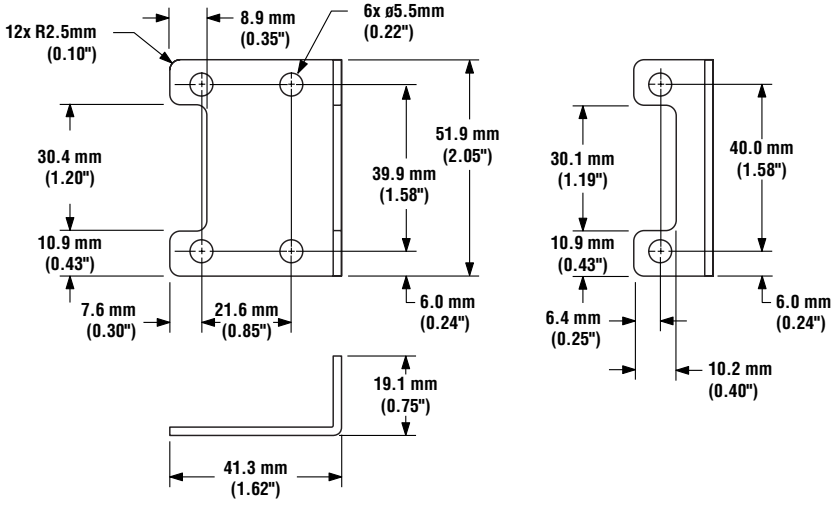
SL Series Slot Sensor

Accessories

Quick-Disconnect Cables

Style	Model	Length	Dimensions	Pinout
5-Pin Euro-style Straight	MQDC1-506 MQDC1-515 MQDC1-530	2 m (6.5') 5 m (15') 9 m (30')		<p>Female</p>  <p>1 = Brown 2 = White 3 = Blue 4 = Black 5 = Gray</p>
5-Pin Euro-style Right-Angle	MQDC1-506RA MQDC1-515RA MQDC1-530RA	2 m (6.5') 5 m (15') 9 m (30')		

Mounting Brackets

SMBSL	<ul style="list-style-type: none"> • Angled bracket • 304 stainless steel
	

SL Series Slot Sensor



WARRANTY: Banner Engineering Corp. warrants its products to be free from defects for one year. Banner Engineering Corp. will repair or replace, free of charge, any product of its manufacture found to be defective at the time it is returned to the factory during the warranty period. This warranty does not cover damage or liability for the improper application of Banner products. This warranty is in lieu of any other warranty either expressed or implied.

P/N 5834119B

Banner Engineering Corp., 9714 Tenth Ave. No., Minneapolis, MN USA 55441 • Phone: 763.544.3164 • www.bannerengineering.com • Email: sensors@bannerengineering.com

For Sales and Support, Contact Walker EMD • Toll-free: (800) 876-4444 • Tel: (203) 426-7700 • Fax: (203) 426-7800 • www.walkeremd.com