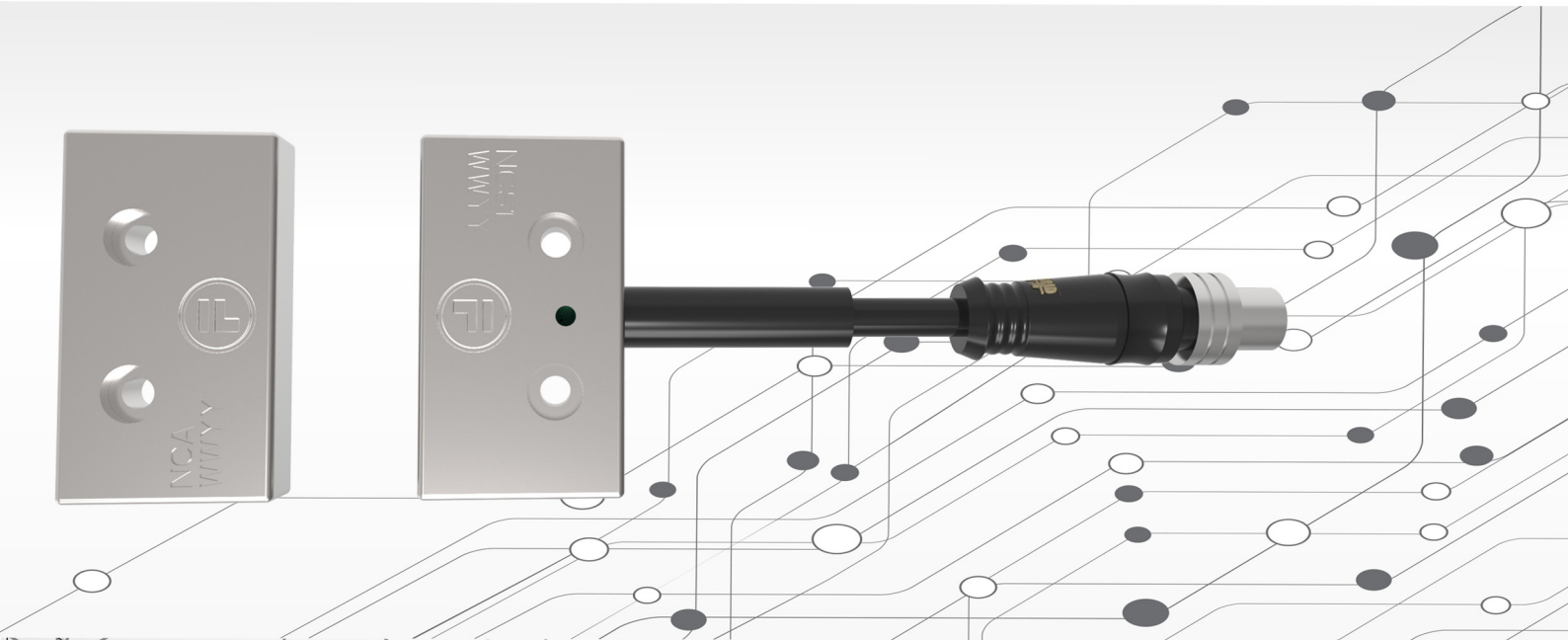


Protecting People, Industry and Productivity



Coded Non Contact Switch

[LEARN MORE](#)

Approvals



Non Contact Switches

Non-contact safety switches are interlocking devices that are designed to protect people, industry and productivity.

Non-contact safety switches are ideal for use in applications where precise guidance of guards is difficult. Due to the design they are extremely long-lasting devices that require minimal maintenance. In addition they are resistant to shock and vibrations and offer a high level of prevention against tampering.

Fortress have developed the amGardnct, a coded non-contact, safety, proximity switch in a robust package, featuring:

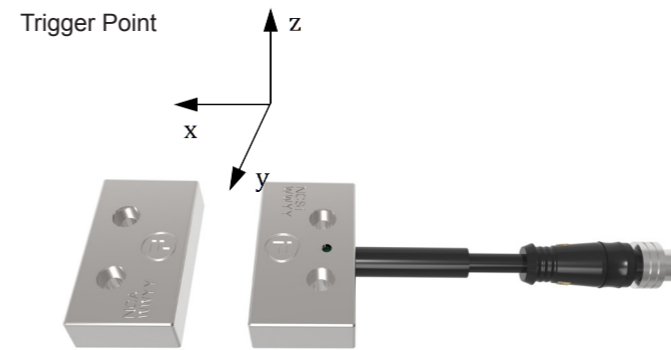
- Stainless Steel IP69K housing, ideal for food, beverage and pharmaceutical environments or anywhere hygiene or robustness are paramount.
- PLe Cat 4/SIL3 safety rating.
- Can be used as a coded interlock in accordance with EN14119.
- Based on solid state Hall Effect sensors that do not suffer from vibration and contact bounce.
- Copes with a very high level of misalignment
- Integrated electronics that monitors for faults and ensure the safety relay does not enter a fault state, irrelevant of the approach direction.
- Local user indication.
- Monitor outputs for use in the control system.
- Available with a variety of termination options.



Approvals



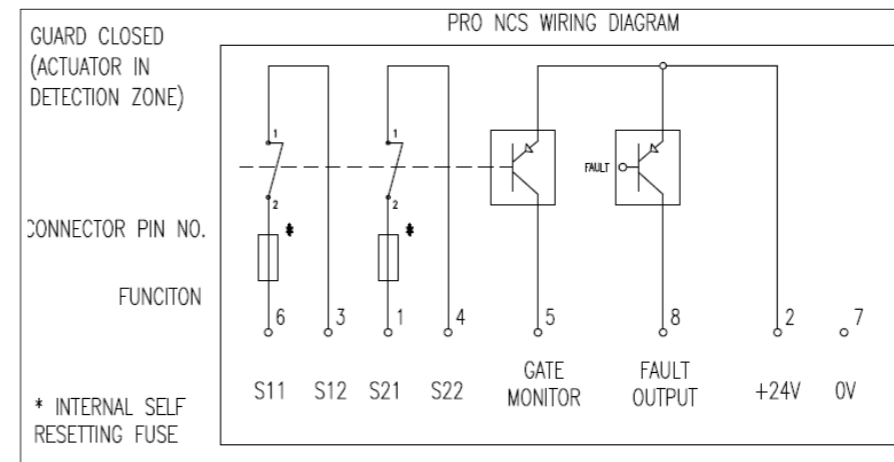
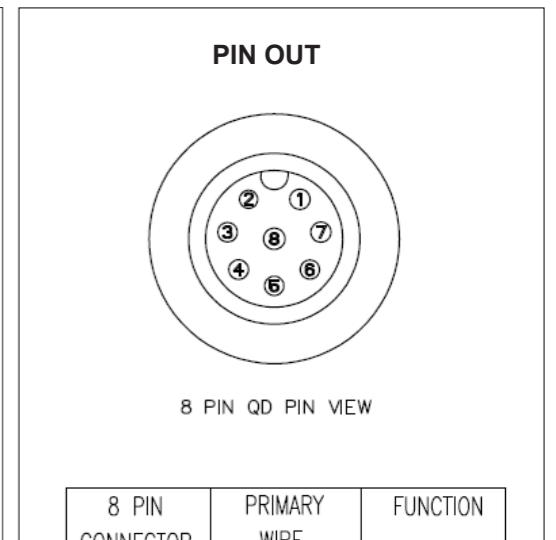
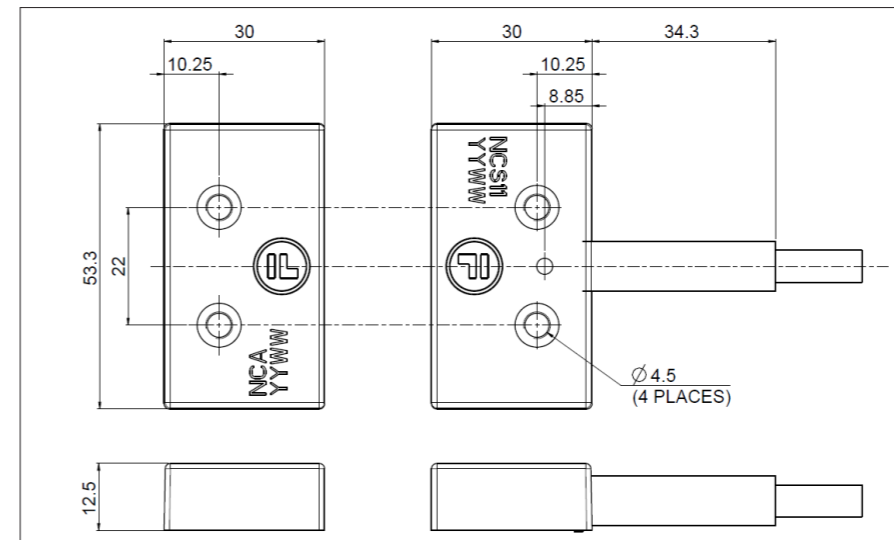
Safety Data		amGardnct Technical Specification		Part Number	Description
Standards	IEC 60947-5-3: 2013 EN ISO 13849-1: 2008 EN62061:2005/A1: 2012 ISO 14119:2013	Ingress Protection	IP69K	NCS11A	Actuator and sensor with M12 8 pin male connector on 150mm lead
Category	EN ISO13849 PLe category 4 EN62061 SIL3	Ambient Temperature	-5°C to + 60°C	NCS11	Sensor only with M12 8 pin male connector on 150mm lead
MTTF	High	Maximum Altitude	2000m	NCS21A	Actuator and sensor with 2m lead
DCAVG	High	Maximum Humidity	50%RH at 70°C	NCS21	Sensor only with 2m lead
SFF	99%	Pollution Degree	4	NCA	Actuator only
PFH	10 ⁻⁹	Shock (EN60068-2-27)	30gn, 11ms		
		Vibration (EN60068-2-6)	10 to 55Hz, 1mm amplitude, 5min sweep cycle		
		Max Operation Speed	7200 operations per minute		



Operating Distances	
Operating Distance	20mm
Release Distance	24mm

LED Operation	
Green	Actuator in detection range
Red	Actuator out of detection range
Amber	Unit in fault state (move actuator fully out of detection zone to reset)

Dimensional Drawing



8 PIN CONNECTOR PIN No	PRIMARY WIRE COLOUR	FUNCTION
1	WHITE	S21
2	BROWN	+24V
3	GREEN	S12
4	YELLOW	S22
5	GREY	GATE
6	PINK	S11
7	BLUE	0V
8	RED	FAULT

Protecting People, Industry and Productivity

A HALMA COMPANY






Official Distributor



Fortress Interlocks Ltd

 +44 (0)1902 349000
 +44 (0)1902 349090
 sales@fortressinterlocks.com

Fortress Interlocks Europe

 +31 (0)10 7536060
 +31 (0)10 7536050
 europe@fortressinterlocks.com



Fortress Interlocks USA

 +1 (859) 578 2390
 +1 (859) 341 2302
 us@fortressinterlocks.com

Fortress Interlocks Pty Ltd

 +61 (0)3 9771 5350
 +61 (0)3 9771 5360
 australia@fortressinterlocks.com

Fortress Interlocks China

 +86 (021) 6016 7611
 china@fortressinterlocks.com

www.fortressinterlocks.com