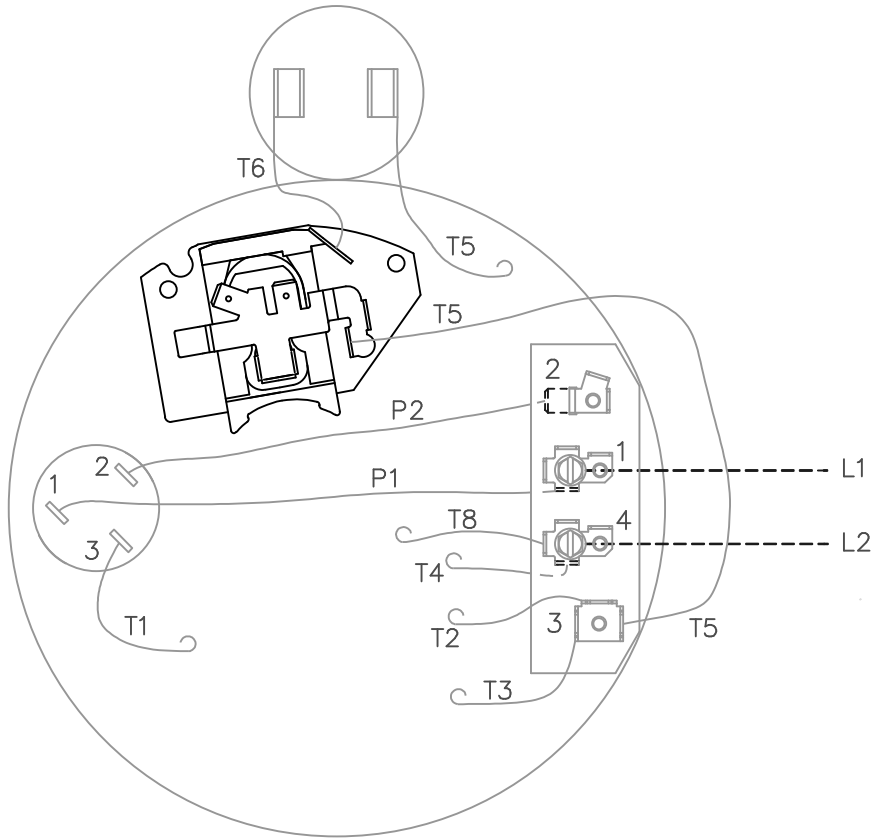
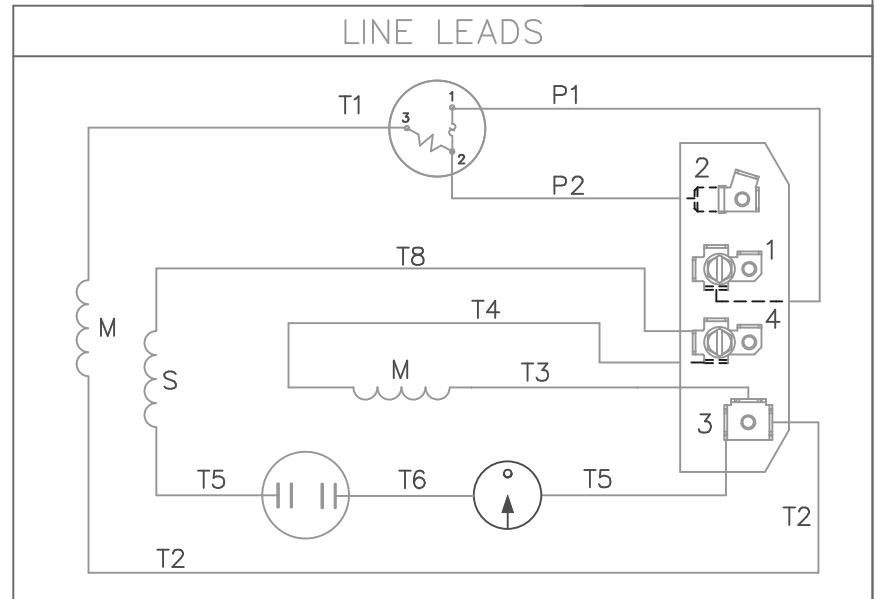


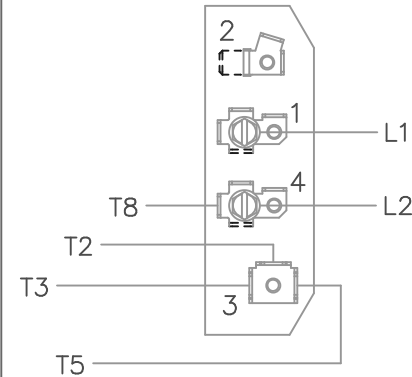
VIEW FROM OUTSIDE OF MOTOR AT SWITCH END.



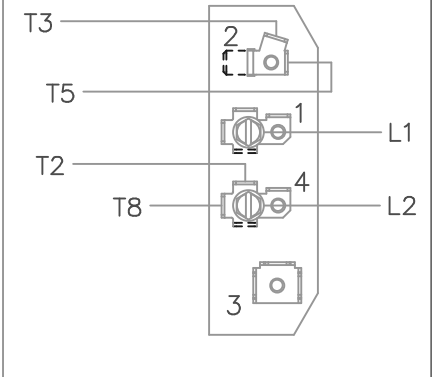
P1, P2, T4 TO GO TO  
BACK SIDE OF TERMINAL BOARD



HIGH VOLTAGE  
C.W.L.E. ROTATION



LOW VOLTAGE  
C.W.L.E. ROTATION



FOR C.C.W. ROTATION INTERCHANGE T5 AND T8.

				TOLERANCES UNLESS SPECIFIED		ELECTRIC MOTORS GEARMOTORS AND DRIVES		DRAWN PG 1/31/03	
				DEC.	INCHES	LEESON		CHK	
				.X	±.1	TITLE EXTERNAL WIRING DIAGRAM TYPE "C" W/PROTECTOR		APPD	
				.XX	±.01			SCALE 1=1	
				.XXX	±.005			REF 005049-12	
				.XXXX	±.0005			FMF 100204.00	
NO.	REVISION	BY & DATE	CHK	ANG	±1/2'	FINISH	DRAWING NO.		REV.
			RFP			CAD FILE 00504916	A 005049-16		
				DIST					

THIS DRAWING IN DESIGN AND DETAIL IS OUR PROPERTY AND MUST NOT BE USED EXCEPT IN CONNECTION WITH OUR WORK ALL RIGHTS OF DESIGN AND INVENTION ARE RESERVED THIS IS AN ELECTRONICALLY GENERATED DOCUMENT - DO NOT SCALE THIS PRINT