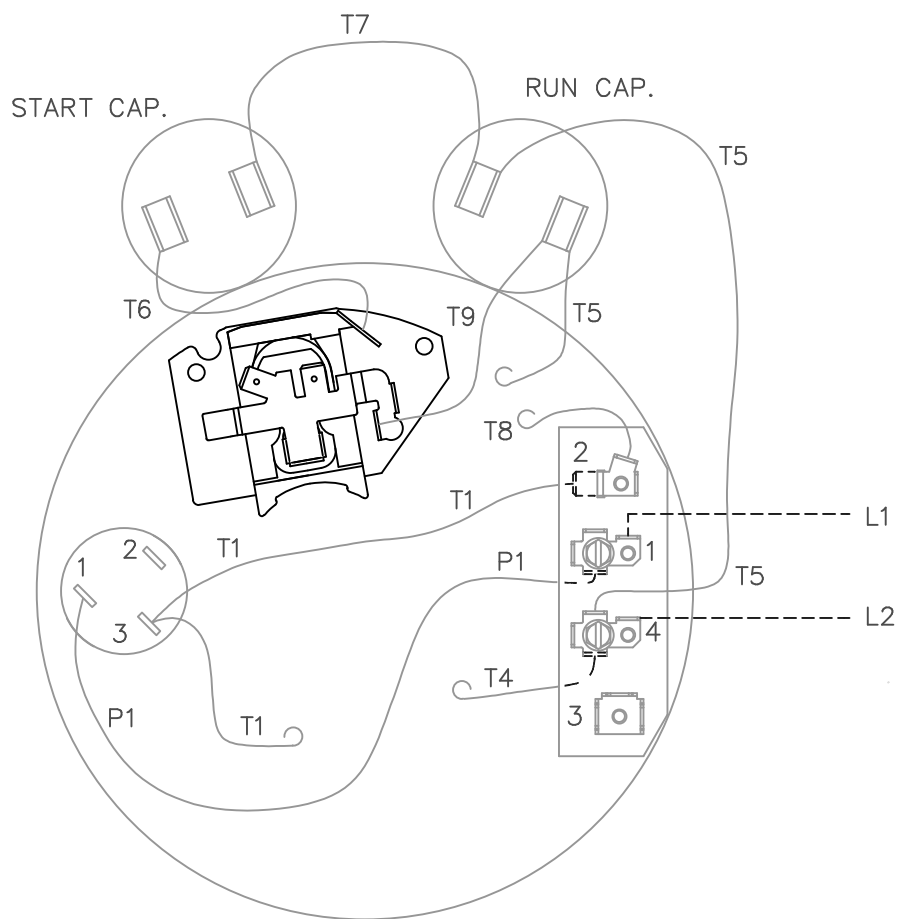
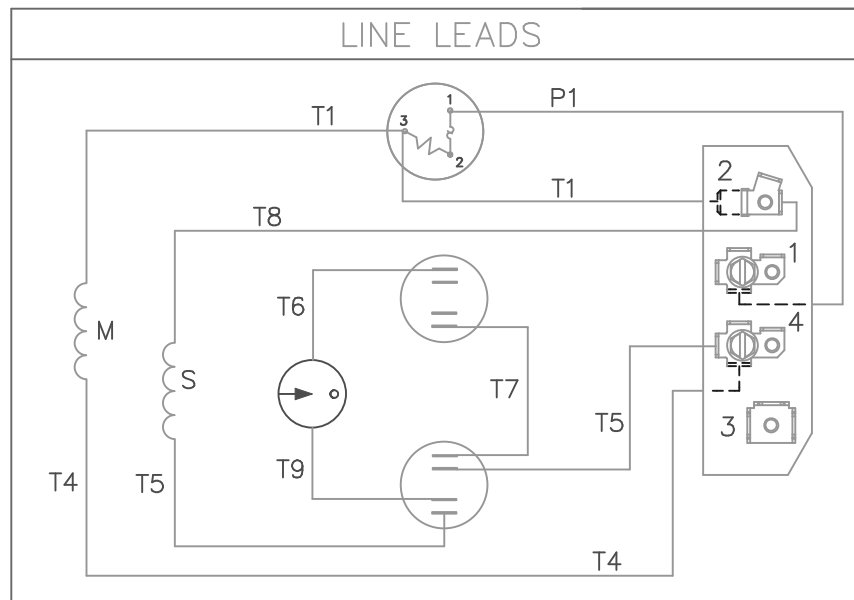


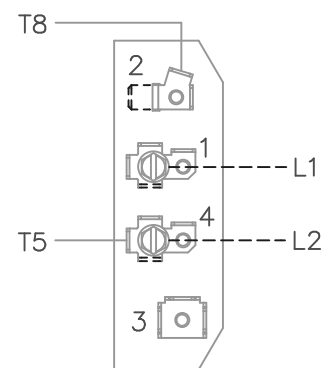
VIEW FROM OUTSIDE OF MOTOR AT SWITCH END.



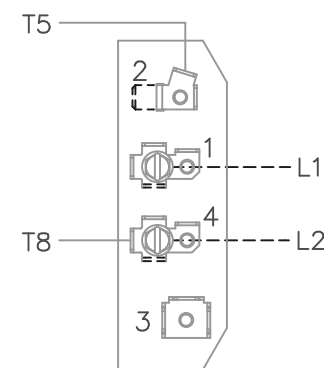
P1, T1, T4 TO GO TO  
BACK SIDE OF TERMINAL BOARD



C.C.W.L.E. ROTATION



C.W.L.E. ROTATION



TOLERANCES  
UNLESS SPECIFIED

DEC. INCHES

.X ±.1

.XX ±.01

.XXX ±.005

.XXXX ±.0005

ANG ±1/2°



ELECTRIC MOTORS  
GEARMOTORS  
AND DRIVES

TITLE  
EXTERNAL WIRING DIAGRAM  
TYPE "K" W/PROTECTOR

MAT'L. SINGLE VOLTAGE - DUAL ROTATION

FINISH

DRAWN PG 3/2/04

CHK

APPD

SCALE 1=1

REF 005056-02

FMF 101585.00

PREV

NO.

REVISION

BY & DATE

CHK

RFP

DIST

CAD FILE

00505658

SIZE

A

DRAWING NO.

005056-58

REV.

THIS DRAWING IN DESIGN AND DETAIL IS OUR PROPERTY AND MUST NOT BE USED EXCEPT  
IN CONNECTION WITH OUR WORK ALL RIGHTS OF DESIGN AND INVENTION ARE RESERVED  
THIS IS AN ELECTRONICALLY GENERATED DOCUMENT - DO NOT SCALE THIS PRINT