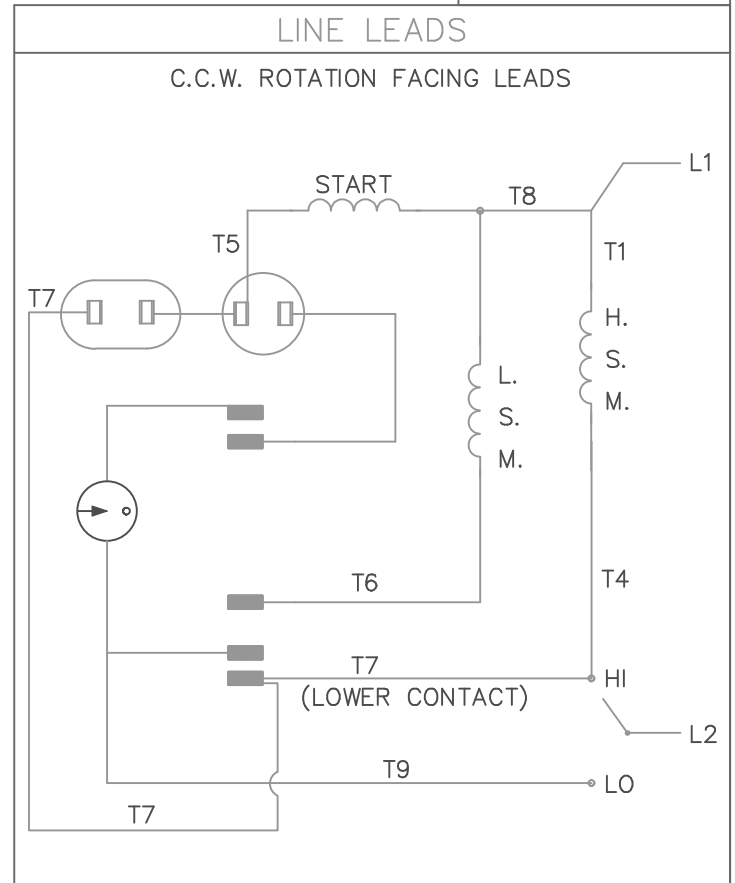
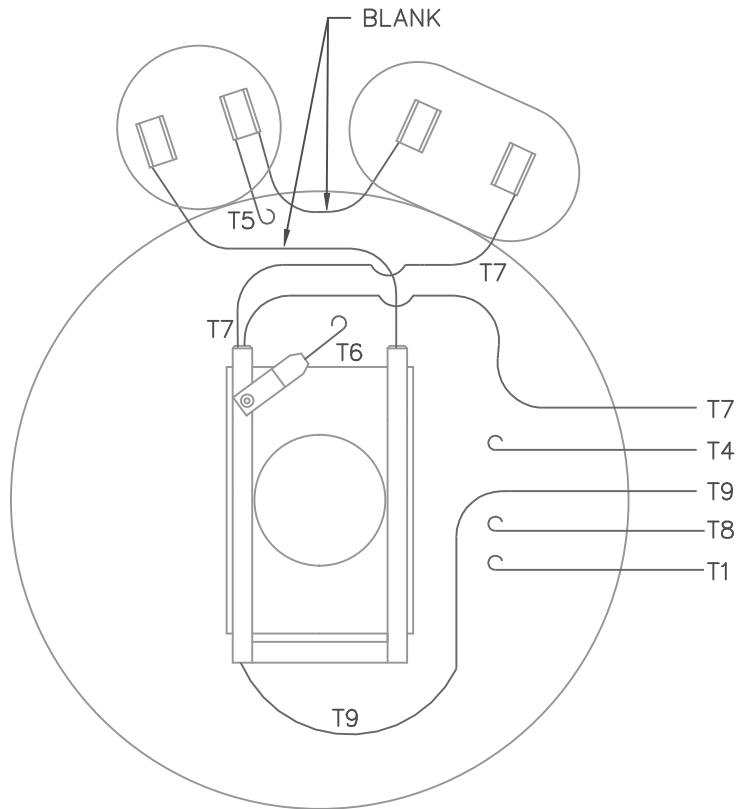


VIEW FROM OUTSIDE OF MOTOR AT SWITCH END.



ROTATION FACING LEAD END	L1	L2	
		HI SPEED	LOW SPEED
C.C.W.	T1,T8	T4,T7	T9
C.W.	T4,T8	T1,T7	T9

				TOLERANCES UNLESS OTHERWISE SPECIFIED	
				DECIMALS	
07	CLARIFIED BLANK LEADS PER ASSY	SAW	11/12/98	.00	± .01
06	REDRAWN ON CAD	KH DBT	06/09/97	.0000	± .0005
NO.	REVISION	BY	DATE	FRACTIONS	± 1/64
				ANGLES	± 1/2°
				INCH/MM	

<b>LEESON ELECTRIC CORPORATION</b>			
DRAWN PG	07/10/85	TITLE	EXTERNAL WIRING DIAGRAM
CH'K'D.	TEM		TYPE "K" W/O PROTECTOR
APPR.	07/18/85	MAT'L.	DECAL - 080092
SCALE	1=1		SINGLE VOLT - DUAL ROT. - DUAL SPEED
REF.	005209	FINISH	GENERAL
FMF	85624D1	SLICING	
		SIZE	DRAWING NO.
		A	005228-01

THIS DRAWING IN DESIGN AND DETAIL IS OUR PROPERTY AND MUST NOT BE USED EXCEPT IN CONNECTION WITH OUR WORK ALL RIGHTS OF DESIGN AND INVENTION ARE RESERVED