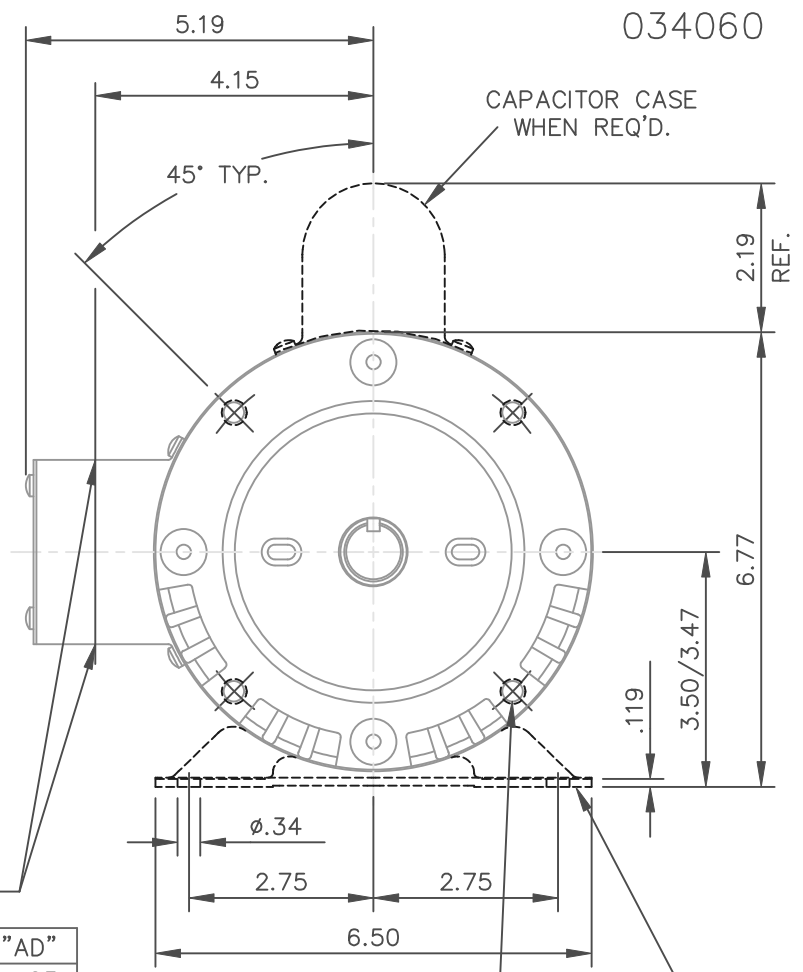
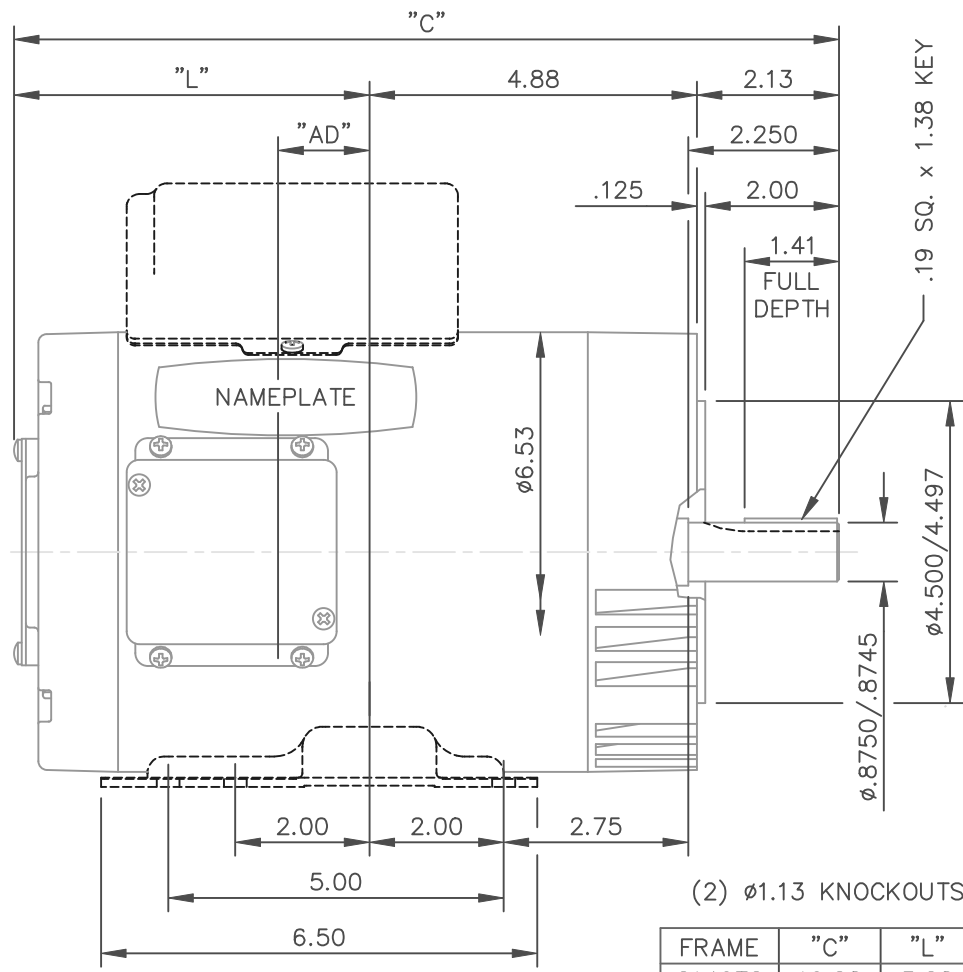


034060



(2) Ø1.13 KNOCKOUTS

FRAME	"C"	"L"	"AD"
C140TC	10.28	3.28	-.63
D140TC	10.78	3.78	-.13
E140TC	11.28	4.28	.38
F140TC	11.78	4.78	.88
G140TC	12.28	5.28	1.38
H140TC	12.78	5.78	1.88

MAXIMUM FACE RUNOUT TO BE .004 T.I.R.  
 MAXIMUM PILOT ECCENTRICITY TO BE .004 T.I.R.  
 PERMISSIBLE SHAFT RUNOUT TO BE .002 T.I.R.

3/8-16 UNC 2B TAP - .56 DEEP  
 4 REQUIRED ON A Ø5.875 B.C.