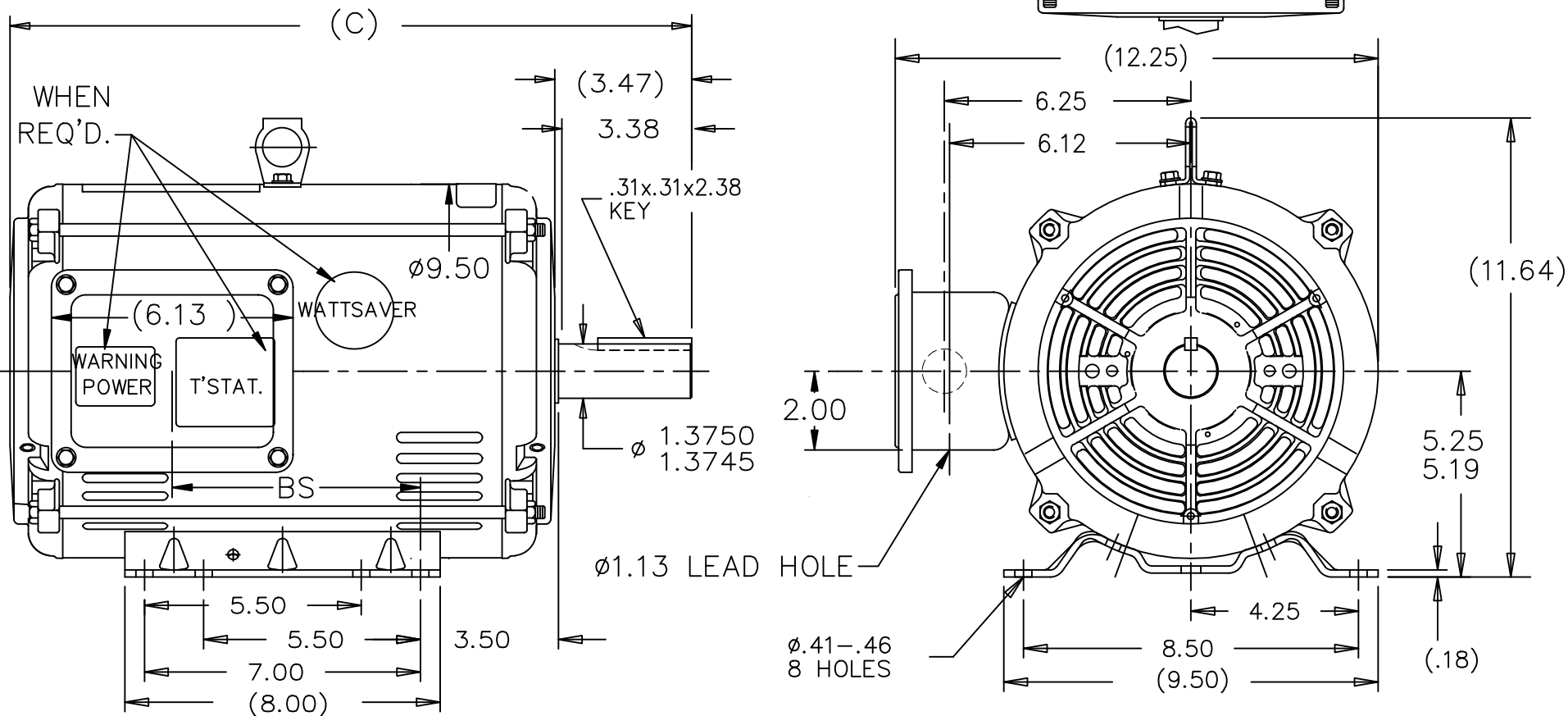


SS88641LE



DASH	FR.	C	BS	MOUNTING
965	213T	15.80	4.80	
1115	213/15T	17.30	6.30	
1240	213/15T	18.55	7.55	F1 ONLY

NOTES:

1. NAMEPLATE TO BE READ FROM CONDUIT BOX SIDE OF MOTOR.
2. BOX CAN BE MOUNTED ON OPPOSITE SIDE BY REMOVING BRACKETS AND TURNING FRAME 180°. (EXCEPT AS NOTED.)
3. DASH 965 TO BE READ FROM OPPOSITE SHAFT END

TOLERANCES UNLESS SPECIFIED

DEC. INCHES

.X ±.1

.XX ±.03

.XXX ±.005

.XXXX ±.0005

CHK ANG ±1/2°



ELECTRIC MOTORS
GEARMOTORS
AND DRIVES

DRAWN HLB 04-24-2002

CHK ML 05-03-2002

APPD TB 05-06-2002

SCALE 1=4

REF

FMF

PREV

NO.	REVISION	BY & DATE	CHK	ANG	±1/2°	FINISH
2	ADDED NOTE 3 & REMOVED GROMMET CN 31848, 31881	DRS 10-21-2002	ML	.XXX	±.005	
1	NEW DRAWING	HLB 05-06-2002	TB	.XXXX	±.0005	

THIS DRAWING IN DESIGN AND DETAIL IS OUR PROPERTY AND MUST NOT BE USED EXCEPT IN CONNECTION WITH OUR WORK ALL RIGHTS OF DESIGN AND INVENTION ARE RESERVED THIS IS AN ELECTRONICALLY GENERATED DOCUMENT - DO NOT SCALE THIS PRINT

RFP
DIST LB

CAD FILE SS88641LE

SIZE	DRAWING NO.	PAGE	OF	REV.
A	SS88641LE			2