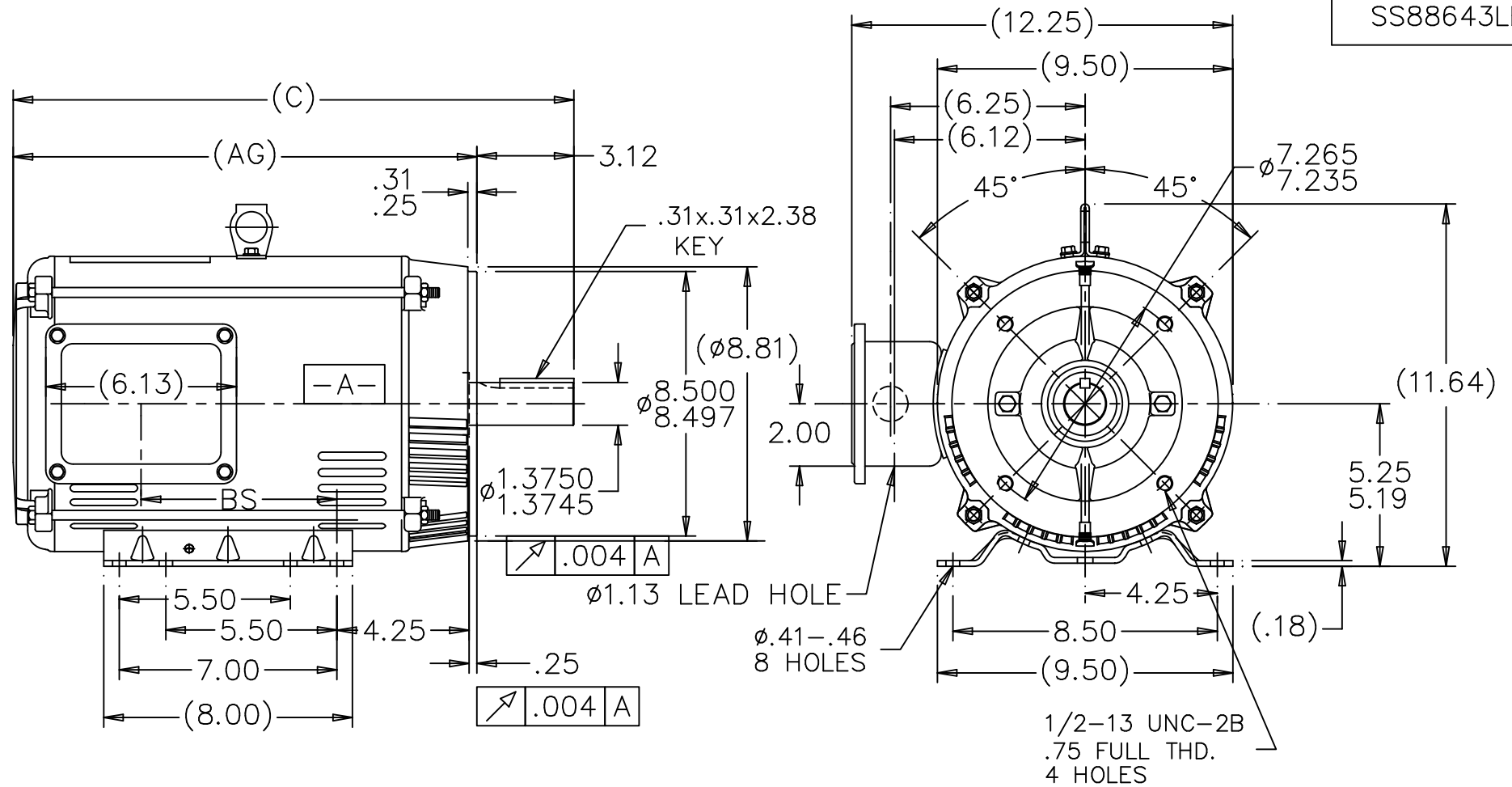


SS88643LE



NOTES:

1. NAMEPLATE TO BE READ FROM CONDUIT BOX SIDE OF MOTOR.
2. CONDUIT BOX CAN BE MOUNTED ON OPPOSITE SIDE BY REMOVING BRACKETS AND TURNING FRAME 180. (EXCEPT AS NOTED)
3. DASH 965 TO BE READ FROM OPPOSITE SHAFT END

DASH	FRAME	C	AG	BS	MOUNTING
1115	213/15TC	18.03	14.91	6.30	
1240	213/15TC	19.28	16.16	7.55	F1 ONLY

NO.	REVISION	BY & DATE	CHK	TOLERANCES UNLESS SPECIFIED	
				DEC.	INCHES
2	ADDED NOTE 3 & REMOVED GROMMET CN 31848, 31881	DRS 10-21-2002	ML	.XXX	±.005
1	NEW DRAWING	HLB 05/06/02	TB	.XXXX	±.0005
			ANG		±1/2°

TOLERANCES UNLESS SPECIFIED	
DEC.	INCHES
.X	±.1
.XX	±.03
.XXX	±.005
.XXXX	±.0005
	±1/2°



ELECTRIC MOTORS
GEARMOTORS
AND DRIVES

TITLE	OUTLINE 210TC FR. - BB - TS - DR.PR.
MAT'L.	
FINISH	
CAD FILE	ss88643le
SIZE	A

DRAWN	HLB 04-25-2002
CHK	ML 05-03-2002
APPD	TB 05-06-2002
SCALE	1=5
REF	
FMF	
PREV	
DRAWING NO.	SS88643LE
PAGE	1 OF 1
REV.	2