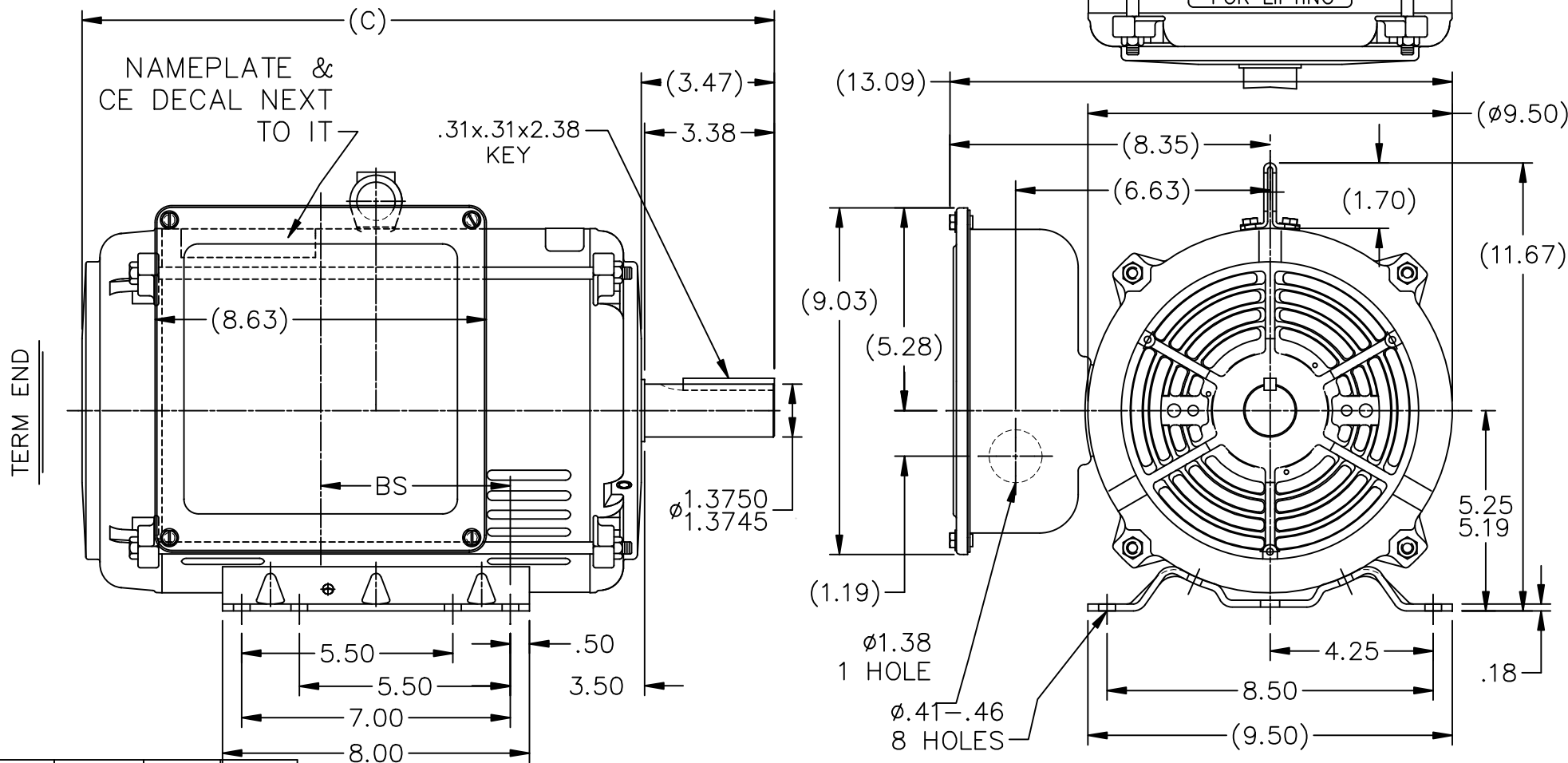



SS88686LE



DASH	FR.	C	BS
965	213T	16.54	3.44
1115	213/15T	18.04	4.94
1240	215T	19.29	6.19

- NOTES:
 1. NAMEPLATE TO BE READ FROM C'BOX SIDE OF MOTOR.
 2. DASH 965 TO BE READ FROM OPPOSITE SHAFT END

				TOLERANCES UNLESS SPECIFIED			ELECTRIC MOTORS GEARMOTORS AND DRIVES	DRAWN RJM 07-26-2002			
				DEC.	INCHES			CHK	ML	08-05-2002	
				.X	±.1			APPD	JPL	08-02-2002	
				.XX	±.03	TITLE OUTLINE		SCALE	1=4		
2	ADDED NOTE 2	CN 31881	DRS 10-21-2002	ML	.XXX ±.005	210 FR. - DR. PR. - 1 PHASE		REF			
1	NEW DRAWING - DES/DEV		RJM 08-02-2002		.XXXX ±.0005	MAT'L.		FMF			
NO.	REVISION		BY & DATE	CHK	ANG ±7'30"	FINISH		PREV			
THIS DRAWING IN DESIGN AND DETAIL IS OUR PROPERTY AND MUST NOT BE USED EXCEPT IN CONNECTION WITH OUR WORK ALL RIGHTS OF DESIGN AND INVENTION ARE RESERVED THIS IS AN ELECTRONICALLY GENERATED DOCUMENT - DO NOT SCALE THIS PRINT				RFP		CAD FILE ss88686le	SIZE	DRAWING NO.	PAGE	OF	REV.
				DIST	LB		A	SS88686LE			2