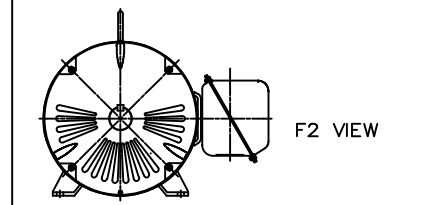
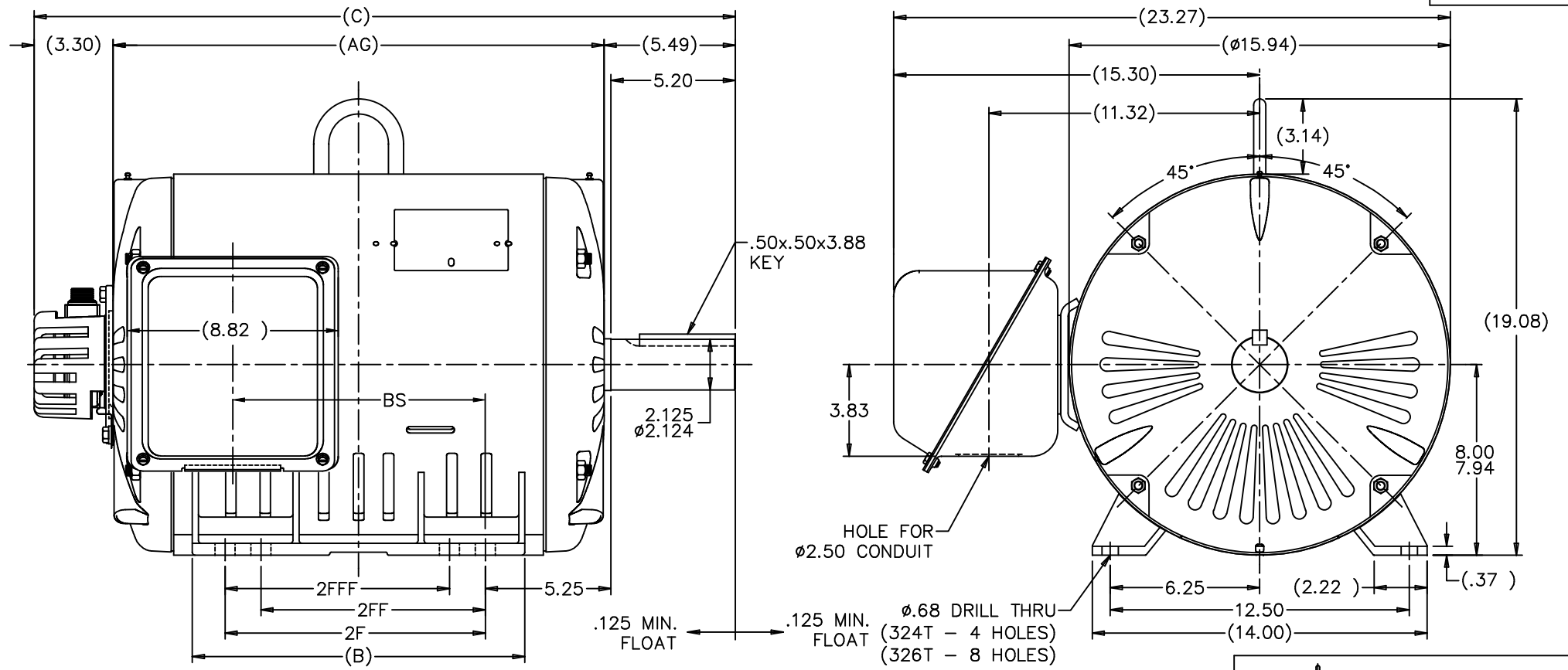


XG2D1ES33B



NOTES:
 1. CONDUIT BOX CAN BE ROTATED IN 90° STEPS.
 2. NAMEPLATES TO BE READ FROM CONDUIT BOX SIDE OF MOTOR.

DASH	FRAME	C	AG	B	2F	2FF	2FFF	BS
1507	324T	29.30	20.51	13.52	10.50			10.51
1657	326T	30.80	22.01	15.02	12.00	10.50	10.50	12.01

				TOLERANCES UNLESS SPECIFIED		Lincoln MOTOR		DRAWN CTO 06-10-2002		
				DEC.	INCHES			CHK	ML 06-10-2002	
				.X	±.1			APPD	HNH 06-10-2002	
				.XX	±.03	TITLE		SCALE	1=4	
				.XXX	±.005	VVVF ELEVATOR HOIST MOTOR 320 ODP UE		REF		
1	NEW DRAWING	MU41735	CTO 06/10/02	HNH	.XXXX	±.0005	MATL	FMF		
NO.	REVISION	BY & DATE	CHK	ANG	±7'30"	FINISH	PREV			
THIS DRAWING IN DESIGN AND DETAIL IS OUR PROPERTY AND MUST NOT BE USED EXCEPT IN CONNECTION WITH OUR WORK ALL RIGHTS OF DESIGN AND INVENTION ARE RESERVED THIS IS AN ELECTRONICALLY GENERATED DOCUMENT - DO NOT SCALE THIS PRINT				RFP	CAD FILE		xg2d1es33b	SIZE	DRAWING NO.	REV.
				DIST BY				B	XG2D1ES33B	1