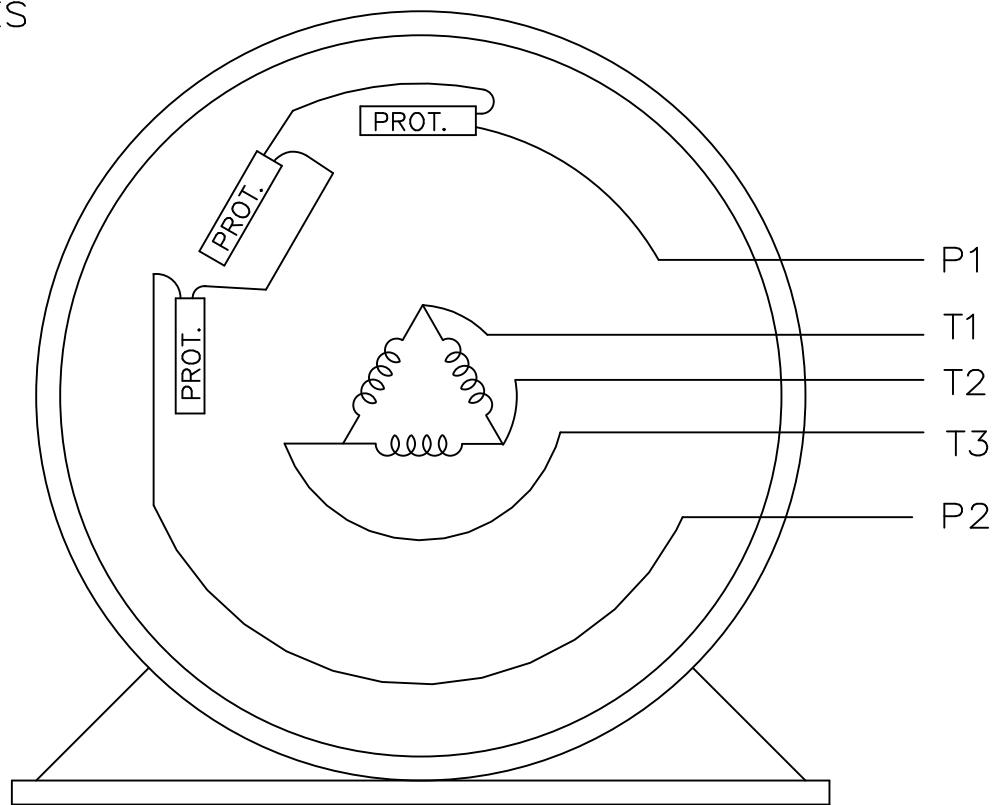
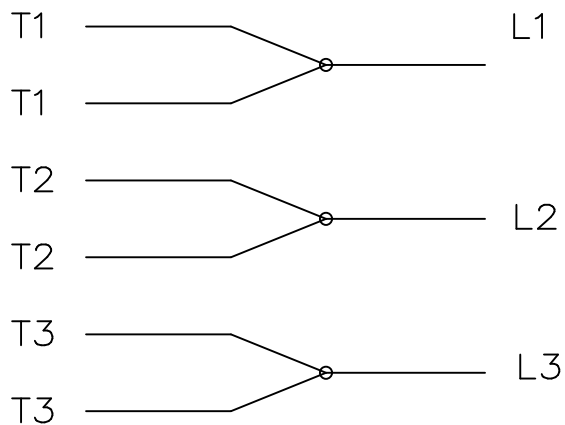


SINGLE VOLTAGE
THREE PHASE MOTOR
WITH 2 LEADS OUT FROM PROTECTORS
PROTECTORS CONNECTED IN SERIES




IF MOTOR HAS
6 LEADS



A-9806 DECAL

VIEW OF TERMINAL END

				TOLERANCES UNLESS SPECIFIED		 ELECTRIC MOTORS GEARMOTORS AND DRIVES	DRAWN DRS 01-21-2003		
				DEC.	INCHES		CHK ML 01-21-2003		
				.X	± -		APPD TB 01-21-2003		
				.XX	± -		SCALE 1=1		
				.XXX	± -		REF		
1	NEW DRAWING	CN 36098	DRS 01-21-2003	TB	.XXXX ± -	MAT'L.	FMF		
NO.	REVISION		BY & DATE	CHK	ANG ± -	FINISH	PREV		
THIS DRAWING IN DESIGN AND DETAIL IS OUR PROPERTY AND MUST NOT BE USED EXCEPT IN CONNECTION WITH OUR WORK ALL RIGHTS OF DESIGN AND INVENTION ARE RESERVED THIS IS AN ELECTRONICALLY GENERATED DOCUMENT - DO NOT SCALE THIS PRINT				RFP	CAD FILE EE7300S-		SIZE	DRAWING NO. PAGE OF	REV.
				DIST LB			A	EE7300S-LE	1