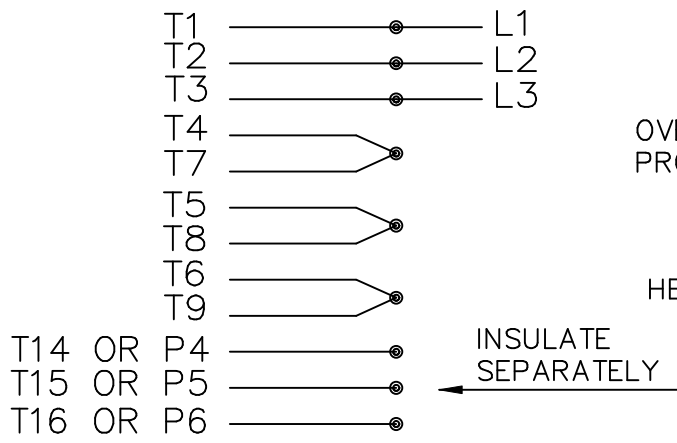
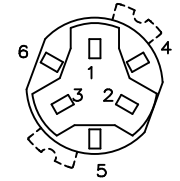


HIGH VOLTAGE CONNECTIONS

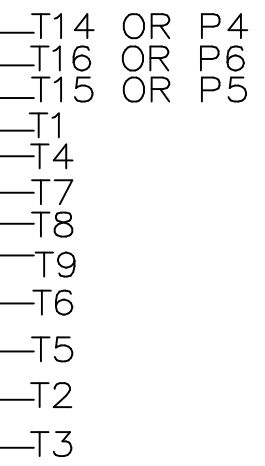
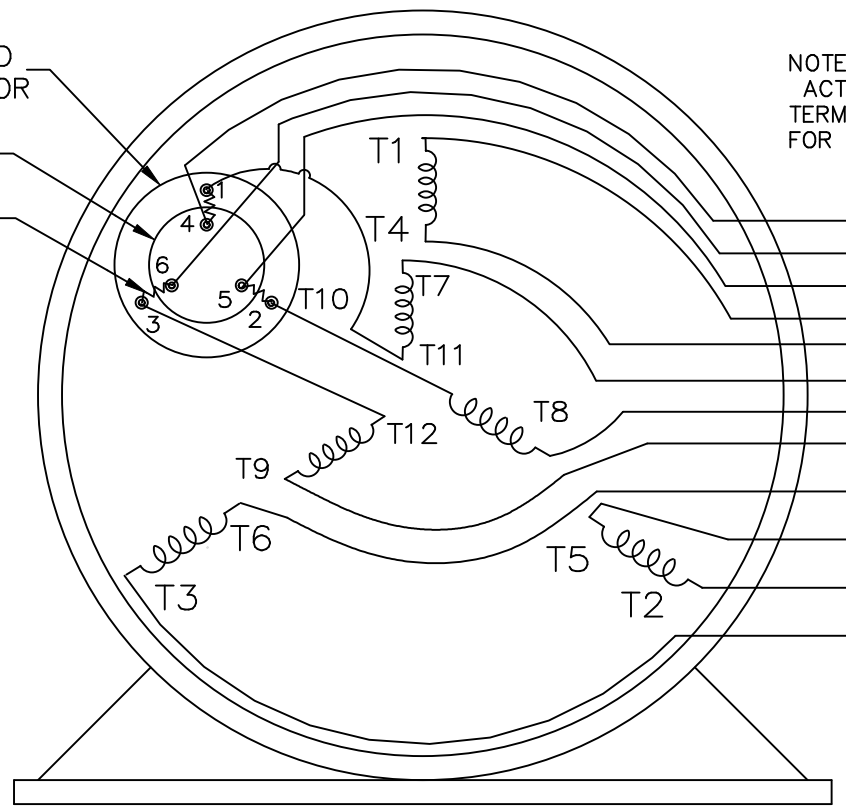


THREE PHASE – DUAL VOLTAGE MOTOR WITH OVERLOAD PROTECTOR

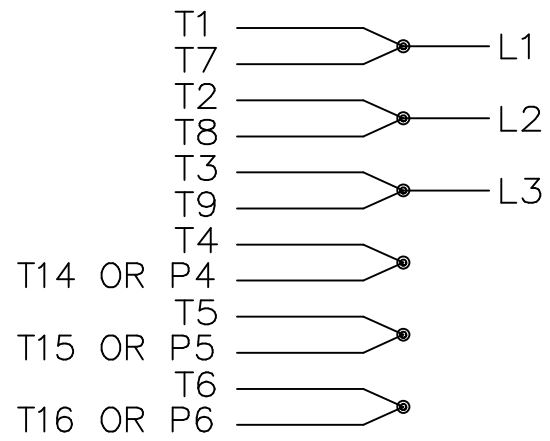


NOTE:  
 ACTUAL PROTECTORS  
 TERMINAL LOCATIONS  
 FOR LEAD CONNECTIONS

OVERLOAD PROTECTOR  
 DISC  
 HEATER



LOW VOLTAGE CONNECTIONS



VIEW OF TERMINAL END

T2K  
 T4D  
 T6AN

				TOLERANCES UNLESS SPECIFIED		ELECTRIC MOTORS GEARMOTORS AND DRIVES	DRAWN NJS 04-20-2005		
				DEC.	INCHES		CHK ML 04-20-2005		
				.X	± -		APPD MJS 04-20-2005		
				.XX	± -		SCALE		
				.XXX	± -		REF		
				.XXXX	± -	MAT'L.			
NO.	REVISION	BY & DATE	CHK	ANG	± -	FINISH	PREV		
THIS DRAWING IN DESIGN AND DETAIL IS OUR PROPERTY AND MUST NOT BE USED EXCEPT IN CONNECTION WITH OUR WORK ALL RIGHTS OF DESIGN AND INVENTION ARE RESERVED THIS IS AN ELECTRONICALLY GENERATED DOCUMENT - DO NOT SCALE THIS PRINT				RFP	04-20-2005	CAD FILE EE7335_LE	SIZE A	DRAWING NO. EE7335-LE	
				DIST	WP			PAGE OF	REV.