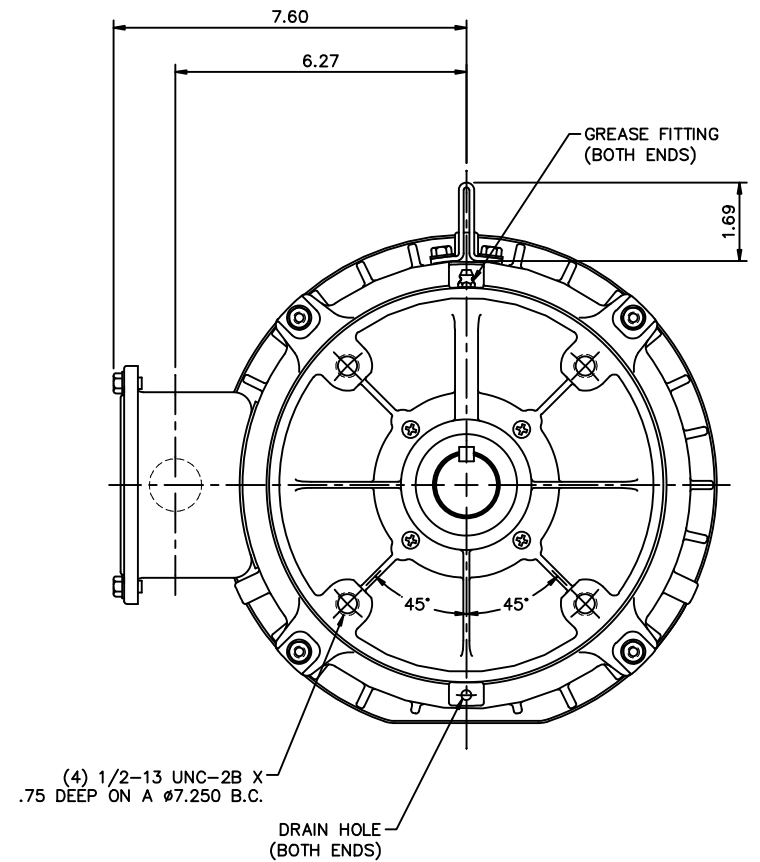


(2) φ1.13 CONDUIT HOLE (PLUGGED)



GASKETS THROUGHOUT
 MAXIMUM FACE RUNOUT TO BE .004 T.I.R.
 MAXIMUM PILOT ECCENTRICITY TO BE .004 T.I.R.
 PERMISSIBLE SHAFT RUNOUT TO BE .002 T.I.R.

DASH NO.	"C"	"AD"
1000	16.71	8.25
1050	17.21	8.75
1100	17.71	9.25
1150	18.21	9.75
1200	18.71	10.25
1250	19.21	10.75
1300	19.71	11.25

		TOLERANCES UNLESS SPECIFIED		LEESON ELECTRIC MOTORS GEARMOTORS AND DRIVES		DRAWN RDW 3/11/03				
		DEC.	INCHES	TITLE		CHK				
02	ADDED: WARNING DECAL - LIFTING LUG & WARNING DECAL - AUTO PROTECTOR; REMOVED: DECAL - WIRING INSTRUCTION, NAMEPLATE -was- TV SCREEN STYLE	KVN	4/19/2010	.X	±.1	APPD SW 3/11/03				
01	ADDED DASH "1300" TO CHART	RDW	6/11/05	.XX	±.03	SCALE 3=8				
REVISION		BY & DATE	CHK	.XXX	±.005	REF				
			SW	.XXXX	±.0005	FMF				
			CHK	ANG	±1/2'	PREV				
THIS DRAWING IN DESIGN AND DETAIL IS OUR PROPERTY AND MUST NOT BE USED EXCEPT IN CONNECTION WITH OUR WORK ALL RIGHTS OF DESIGN AND INVENTION ARE RESERVED THIS IS AN ELECTRONICALLY GENERATED DOCUMENT - DO NOT SCALE THIS PRINT				RFP	3/11/03	CAD FILE	037612	SIZE B	DRAWING NO. 037612	REV. 02