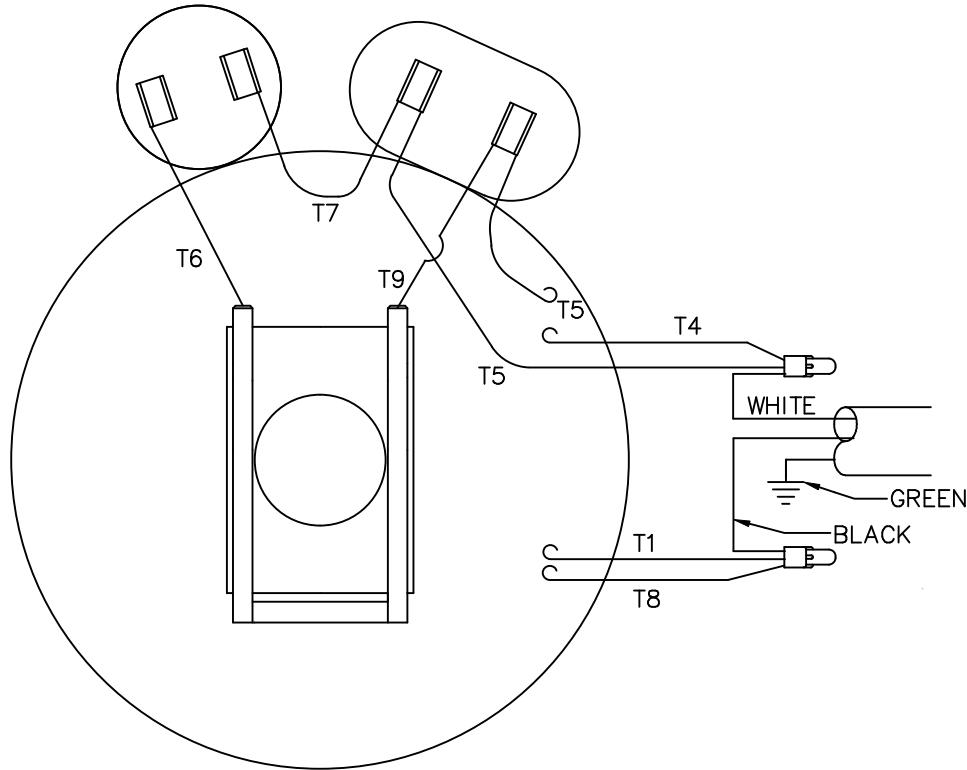
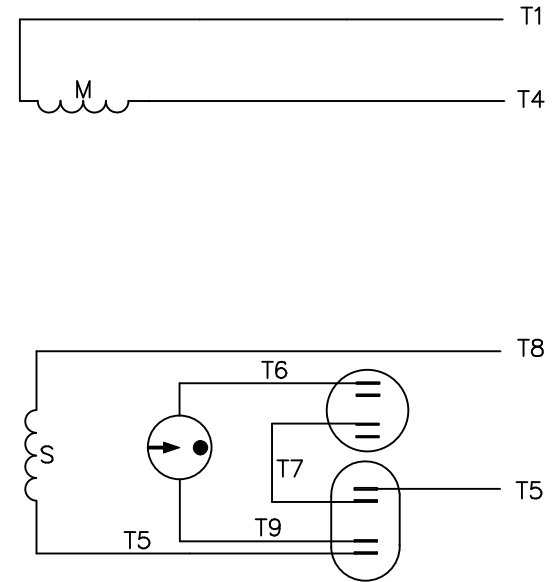


VIEW FROM OUTSIDE OF MOTOR AT SWITCH END.



C.C.W. L.E. ROTATION SHOWN ABOVE

LINE LEADS



ROTATION FACING LEAD END	L1 (BLACK)	L2 (WHITE)
C.C.W.	T1, T8	T4, T5
C.W.	T1, T5	T4, T8

				TOLERANCES UNLESS OTHERWISE SPECIFIED		LEESON ELECTRIC CORPORATION		
				DECIMALS				
				.00	± .01	DRAWN PG 06/01/83	TITLE	
				.000	± .005	CH'K'D. DLL 06/06/83	EXT. WIRING DIAGRAM TYPE "K" W/O PROTECTOR	
2	UPDATED TO CURRENT STANDARDS	DBT	06/16/97	.0000	± .0005	APPR. JCW 06/06/83	MAT'L. DECAL - 004018	
NO.	REVISION	BY	DATE	FRACTIONS	± 1/64	SCALE 1=1	BRF	
THIS DRAWING IN DESIGN AND DETAIL IS OUR PROPERTY AND MUST NOT BE USED EXCEPT IN CONNECTION WITH OUR WORK ALL RIGHTS OF DESIGN AND INVENTION ARE RESERVED				ANGLES	± 1/2°	REF.	FINISH	
				INCH/MM		FMF 145K34FB6	SIZE A	DRAWING NO. 005018-12