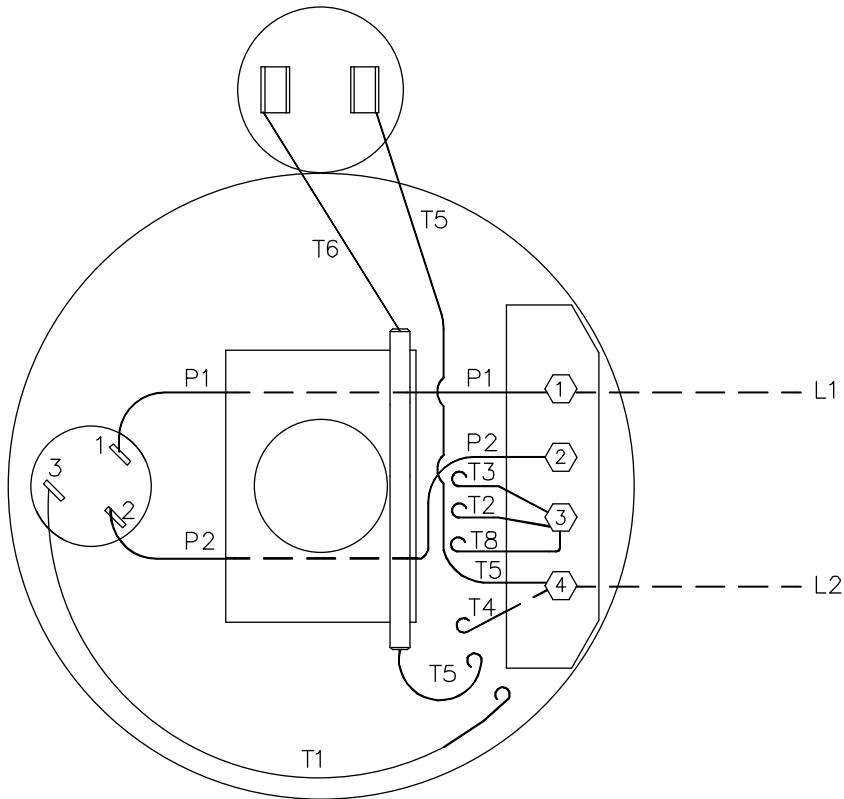
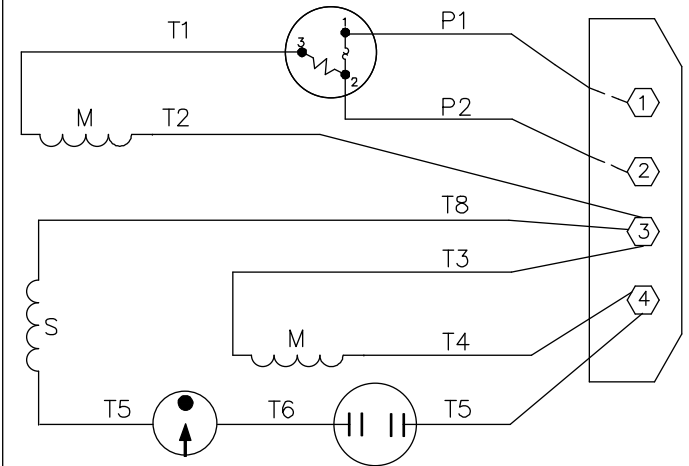


VIEW FROM OUTSIDE OF MOTOR AT SWITCH END.

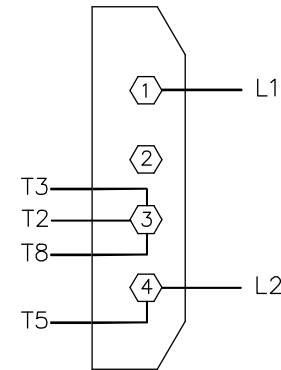


HIGH VOLTAGE  
C.C.W.L.E. ROTATION SHOWN

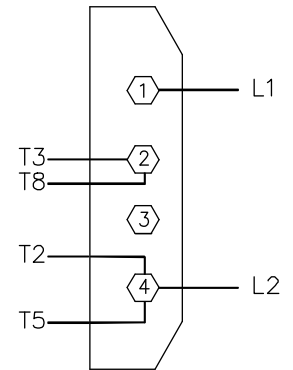
LINE LEADS



HIGH VOLTAGE  
C.C.W.L.E.



LOW VOLTAGE  
C.C.W.L.E.



FOR C.W. ROTATION INTERCHANGE T5 AND T8.

				TOLERANCES UNLESS OTHERWISE SPECIFIED		<b>LEESON</b> ELECTRIC CORPORATION				
				DECIMALS						
				.00	± .01	DRAWN JRW 08/29/74	TITLE EXTERNAL WIRING DIAGRAM W/BOARD TYPE "C" W/PROTECTOR			
15	CHANGED ROTATION PER ECR-0045130	MN	ARV	10/16/13	.000	± .005	CH'K'D. WRK 09/03/74	MAT'L. C.C.W. DECAL - 004098		
14	REDRAWN ON CAD		DBT	06/04/97	.0000	± .0005	APPR. JCW 09/03/74	C.W. DECAL - 080074 <b>BRF</b>		
NO.	REVISION	BY	DATE	FRACTIONS	± 1/64	SCALE	1=1			
THIS DRAWING IN DESIGN AND DETAIL IS OUR PROPERTY AND MUST NOT BE USED EXCEPT IN CONNECTION WITH OUR WORK ALL RIGHTS OF DESIGN AND INVENTION ARE RESERVED				ANGLES	± 1/2"	REF.	FIG.2-33 C4A	FINISH	SIZE	DRAWING NO.
				INCH/MM		FMF	MG1-2.48		A	005049-01