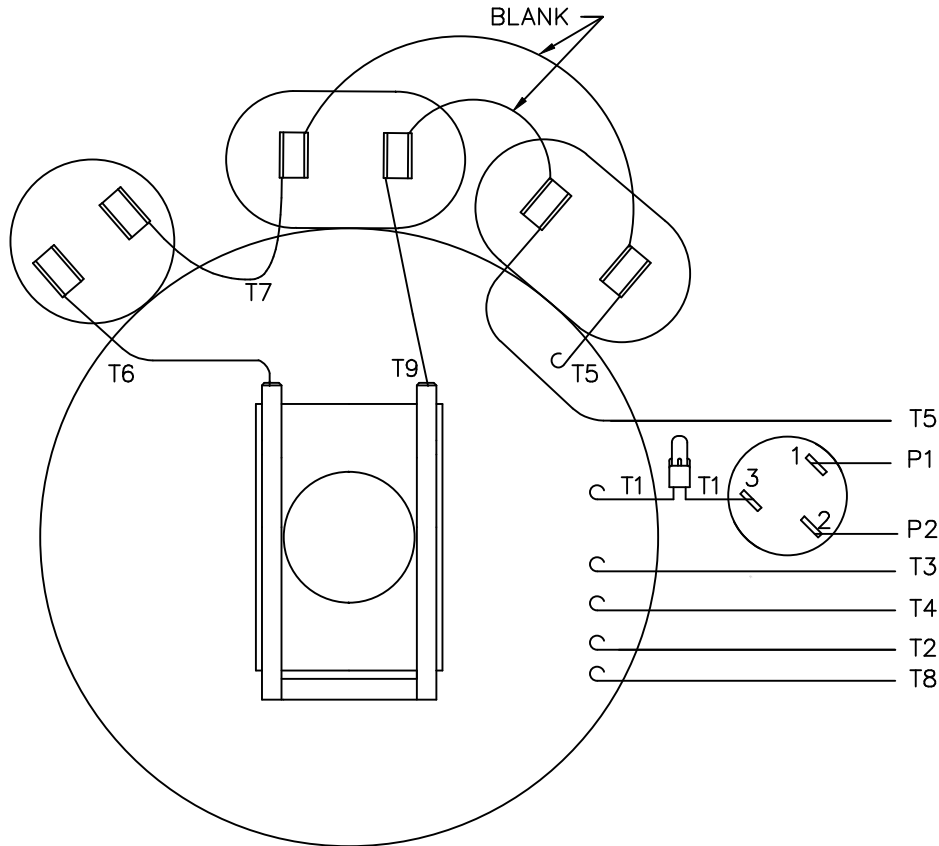
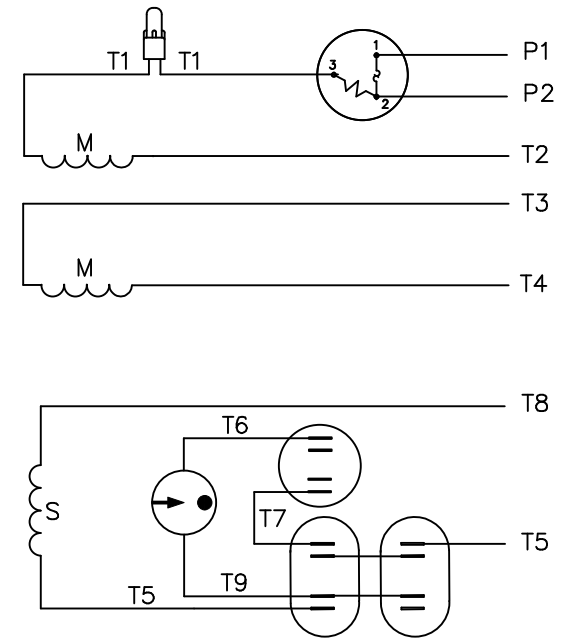


VIEW FROM OUTSIDE OF MOTOR AT SWITCH END.



LINE LEADS



	ROTATION FACING LEAD END	L1	L2	JOIN	INSULATE SEPARATELY
HIGH VOLT	C.C.W.	P1	T4 T5	T2, T3 T8	P2
	C.W.	P1	T4 T8	T2, T3 T5	P2
LOW VOLT	C.C.W.	P1	T2, T4 T5	P2, T3 T8	
	C.W.	P1	T2, T4 T8	P2, T3 T5	

TOLERANCES UNLESS OTHERWISE SPECIFIED

DECIMALS

.00	± .01
.000	± .005
.0000	± .0005

FRACTIONS	± 1/64
ANGLES	± 1/2°
INCH/MM	

**LEESON** ELECTRIC CORPORATION

DRAWN TEM  
CH'K'D.

TITLE  
EXTERNAL WIRING DIAGRAM  
TYPE "K" W/PROTECTOR

APPR. 04/20/88  
SCALE 1=1

MAT'L. DECAL - 004011

**BRF**

REF. PG.11  
FMF W-K63466-4

FINISH QUINTON

SIZE  
A

DRAWING NO.  
005053-12

THIS DRAWING IN DESIGN AND DETAIL IS OUR PROPERTY AND MUST NOT BE USED EXCEPT IN CONNECTION WITH OUR WORK ALL RIGHTS OF DESIGN AND INVENTION ARE RESERVED

NO.	REVISION	BY	DATE
1	REDRAWN ON CAD	DBT	05/29/97