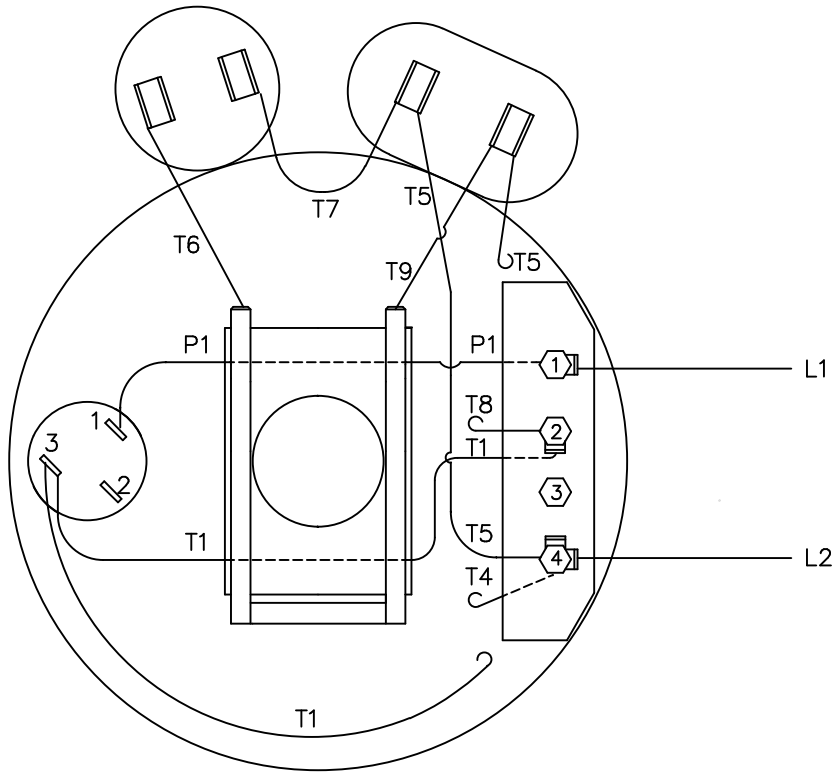
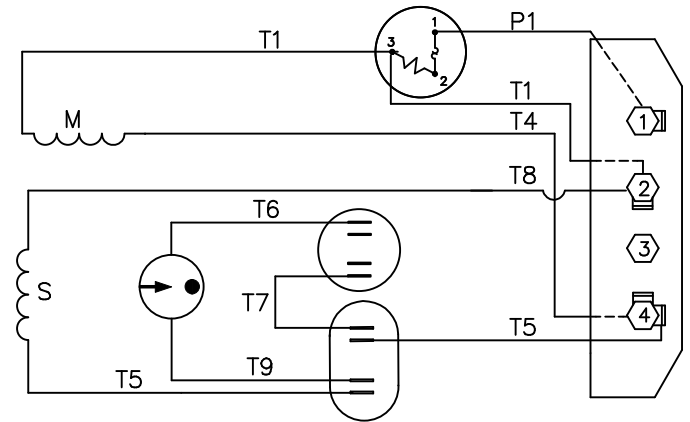


VIEW FROM OUTSIDE OF MOTOR AT SWITCH END.

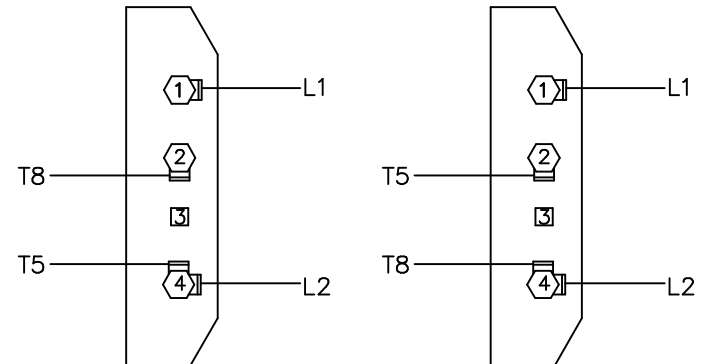


LINE LEADS



C.C.W. L.E. ROTATION

C.W. L.E. ROTATION



TOLERANCES UNLESS OTHERWISE SPECIFIED

DECIMALS

.00 ± .01

.000 ± .005

.0000 ± .0005

FRACTIONS ± 1/64

ANGLES ± 1/2°

INCH/MM

LEESON ELECTRIC CORPORATION

DRAWN JRW 12/12/75

CH'K'D. TEM

APPR. 12/17/75

SCALE 1=1

REF.

FMF A6K34DC1

TITLE EXTERNAL WIRING DIAGRAM
TYPE "K" W/ PROTECTOR

MAT'L. DECAL - 004112

BRF

FINISH

SIZE

DRAWING NO.

A

005056-02

| | | | |
|-----|----------------|-----|----------|
| 10 | REDRAWN ON CAD | DBT | 06/23/97 |
| NO. | REVISION | BY | DATE |

THIS DRAWING IN DESIGN AND DETAIL IS OUR PROPERTY AND MUST NOT BE USED EXCEPT IN CONNECTION WITH OUR WORK ALL RIGHTS OF DESIGN AND INVENTION ARE RESERVED