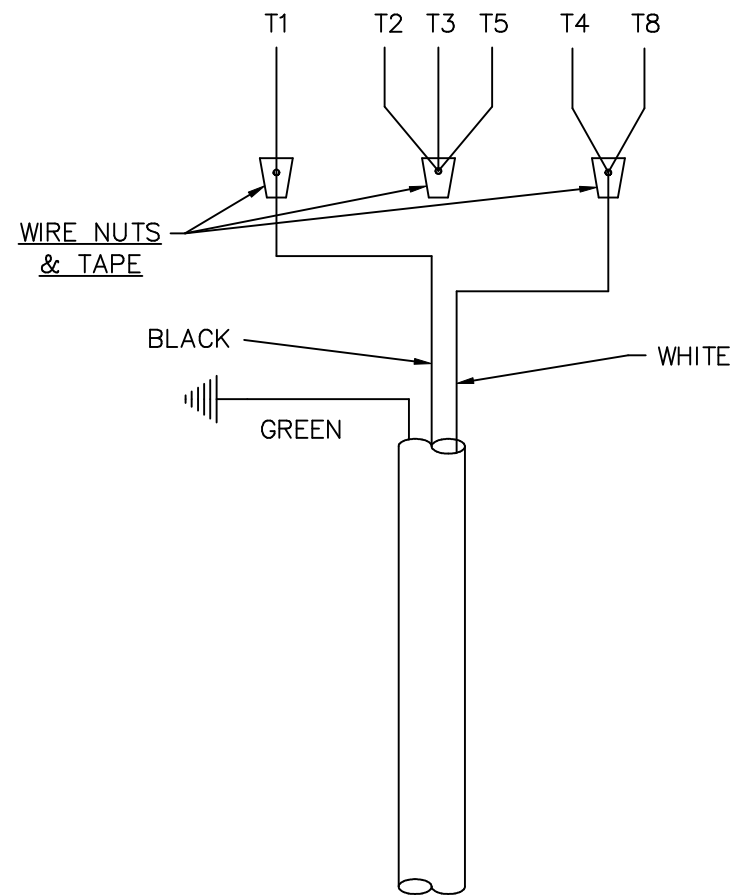


LOW VOLTAGE

CW ROTATION
FACING LEAD END

FOR CCW ROTATION
INTERCHANGE LINES T5
AND T8

CAUTION:
LEAD WIRE INSULATION
TO EXTEND MIN. OF 1/4"
INTO CONNECTOR
INSULATION



HIGH VOLTAGE

				TOLERANCES UNLESS OTHERWISE SPECIFIED			LEESON ELECTRIC CORPORATION			
				DEC.	INCHES	METRIC				
				.X	±.1	±2.5	DRAWN DMC 11/23/93	TITLE		
				.XX	±.01	±.25	APPR. PG 11/24/93	EXTERNAL WIRING DIAGRAM FOR CORD		
01	REDRAWN ON CAD	RLW 7/13/01		.XXX	±.005	±.127	R.F.P.	MAT'L.		
NO.	REVISION	BY & DATE	CH'K'D.	.XXXX	±.0005	±.0127	SCALE 1=1			
THIS DRAWING IN DESIGN AND DETAIL IS OUR PROPERTY AND MUST NOT BE USED EXCEPT IN CONNECTION WITH OUR WORK ALL RIGHTS OF DESIGN AND INVENTION ARE RESERVED THIS IS AN ELECTRONICALLY GENERATED DOCUMENT - DO NOT SCALE THIS PRINT				FRACTIONS	±1/64		REF.	FINISH	REV.	DRAWING NO.
				ANGLES	±1/2'		FMF	120997		01