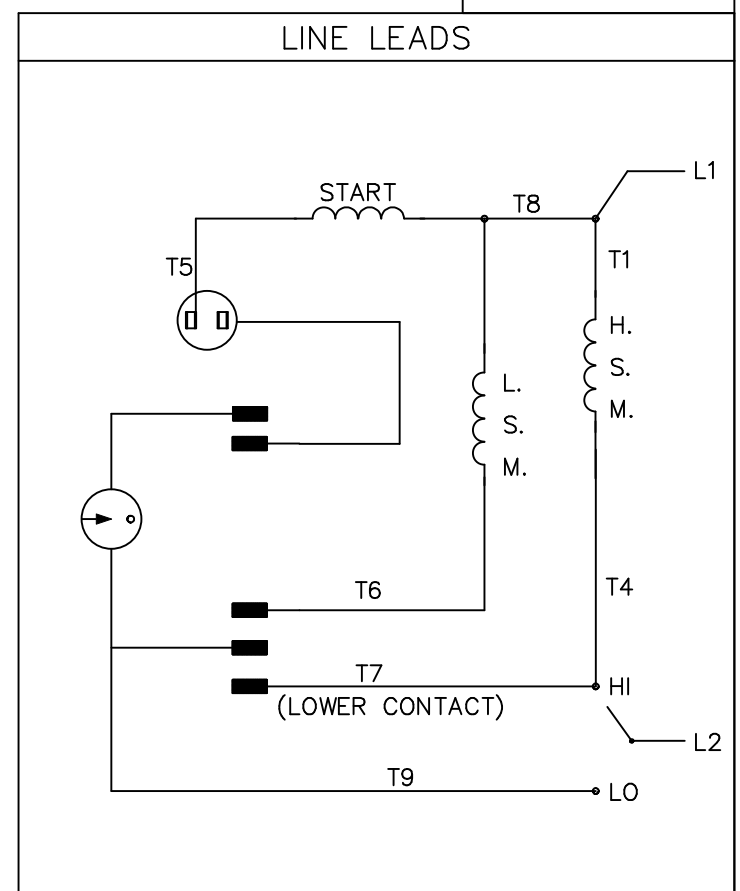
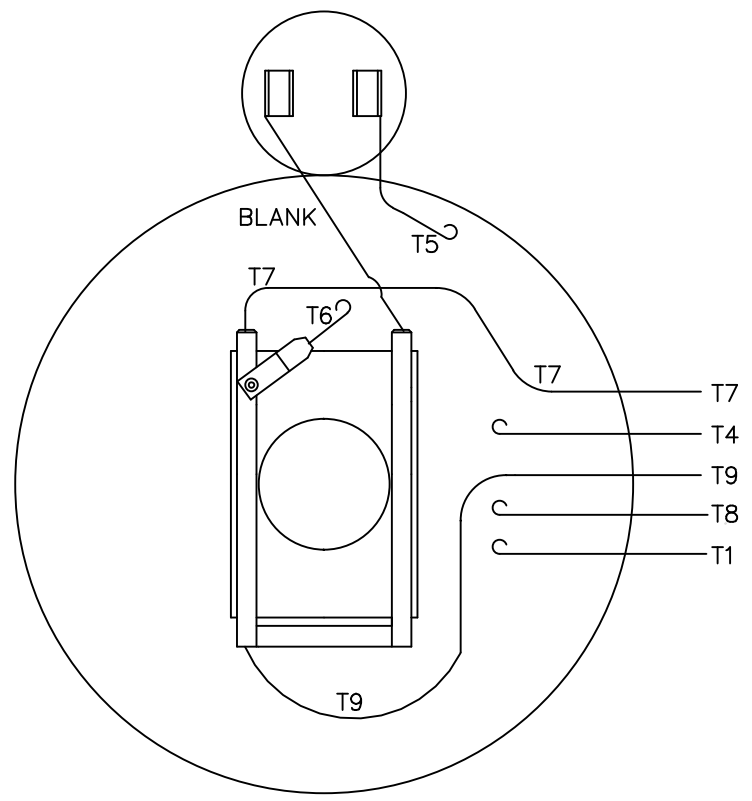


VIEW FROM OUTSIDE OF MOTOR AT SWITCH END.



ROTATION FACING LEAD END	L1	L2	
		HI SPEED	LOW SPEED
C.C.W.	T1, T8	T4, T7	T9
C.W.	T4, T8	T1, T7	T9

TOLERANCES UNLESS OTHERWISE SPECIFIED	
DECIMALS	
.00	± .01
.000	± .005
.0000	± .0005
FRACTIONS	
	± 1/64

LEESON ELECTRIC CORPORATION

DRAWN PG 11/04/82	TITLE	EXTERNAL WIRING DIAGRAM	SIZE	DRAWING NO.
CH'K'D. DLL 11/04/82		TYPE "C" W/O PROTECTOR	A	005192-01
APPR. TEM 11/04/82	MAT'L.	DECAL - 080092		
SCALE 1=1	REF. 005122	FINISH IND. BELTING		
	FMF W-C-63(4-3)1	145C48DC11		

NO.	REVISION	BY	DATE
4	REDRAWN ON CAD	DBT	06/09/97

THIS DRAWING IN DESIGN AND DETAIL IS OUR PROPERTY AND MUST NOT BE USED EXCEPT IN CONNECTION WITH OUR WORK ALL RIGHTS OF DESIGN AND INVENTION ARE RESERVED