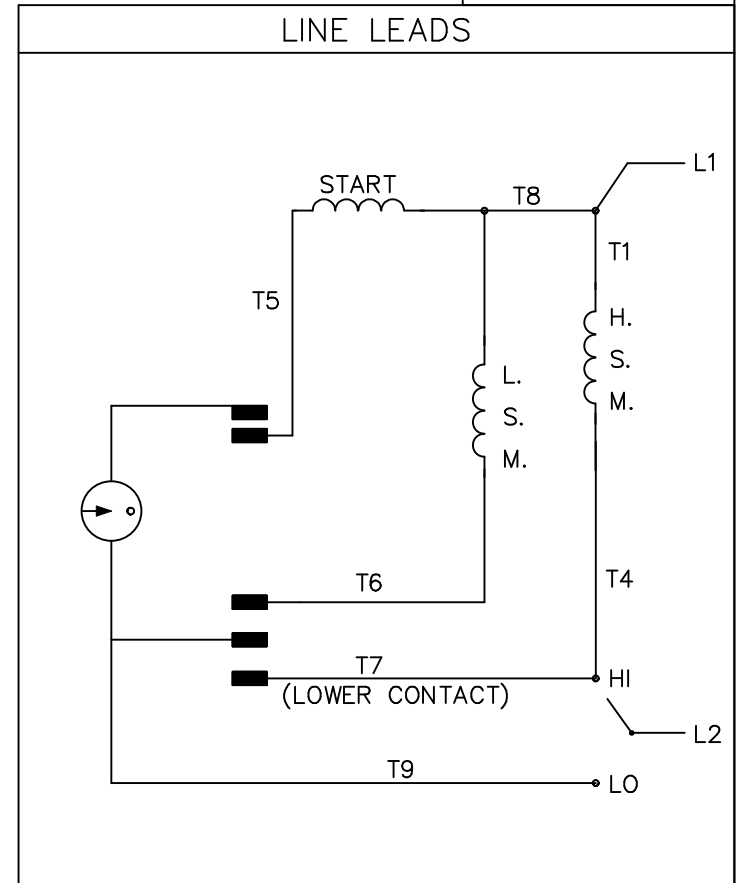
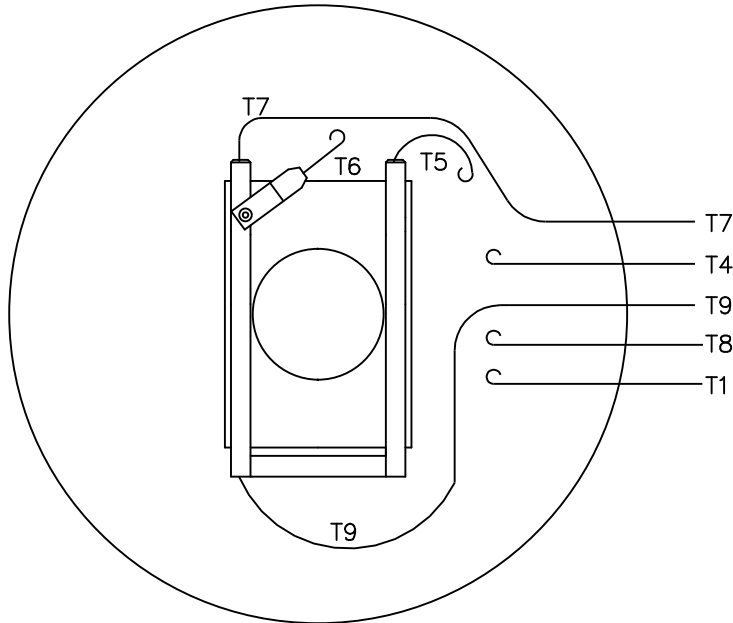


VIEW FROM OUTSIDE OF MOTOR AT SWITCH END.



ROTATION FACING LEAD END	L1	L2	
		HI SPEED	LOW SPEED
C.C.W.	T1, T8	T4, T7	T9
C.W.	T4, T8	T1, T7	T9

				TOLERANCES UNLESS OTHERWISE SPECIFIED		LEESON ELECTRIC CORPORATION			
				DECIMALS					
				.00	± .01	DRAWN PG 10/21/83	TITLE EXTERNAL WIRING DIAGRAM		
				.000	± .005	CH'K'D. TEM	TYPE "S" W/O PROTECTOR		
02	REDRAWN ON CAD	DBT	06/09/97	.0000	± .0005	APPR. 10/21/83	MAT'L. DECAL - 080092		
NO.	REVISION	BY	DATE	FRACTIONS	± 1/64	SCALE 1=1	SPLIT PHASE		
THIS DRAWING IN DESIGN AND DETAIL IS OUR PROPERTY AND MUST NOT BE USED EXCEPT IN CONNECTION WITH OUR WORK ALL RIGHTS OF DESIGN AND INVENTION ARE RESERVED				ANGLES	± 1/2°	REF. 005192	FINISH	SIZE	DRAWING NO.
				INCH/MM		FMF W555(4-6)1	65460B1	A	005203-01