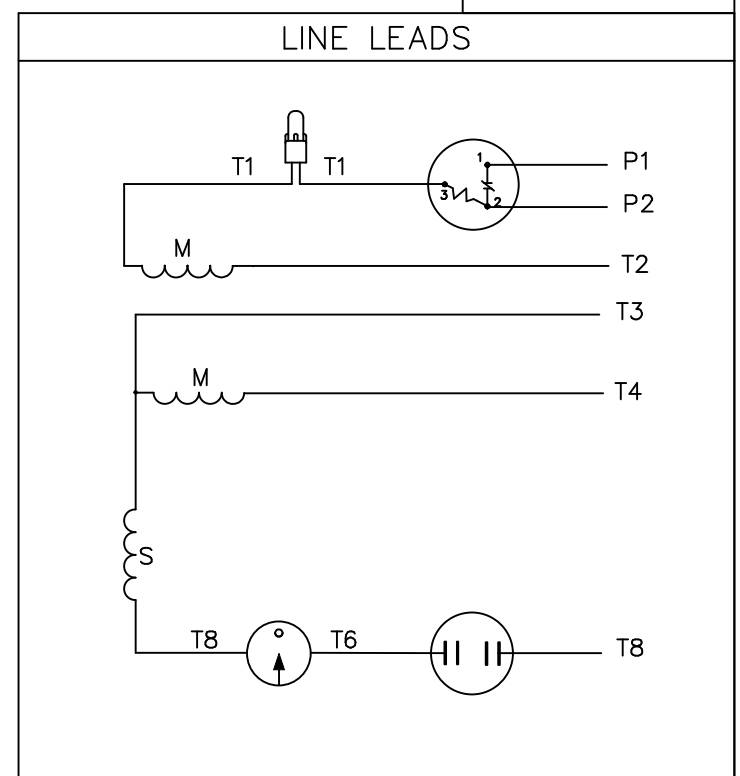
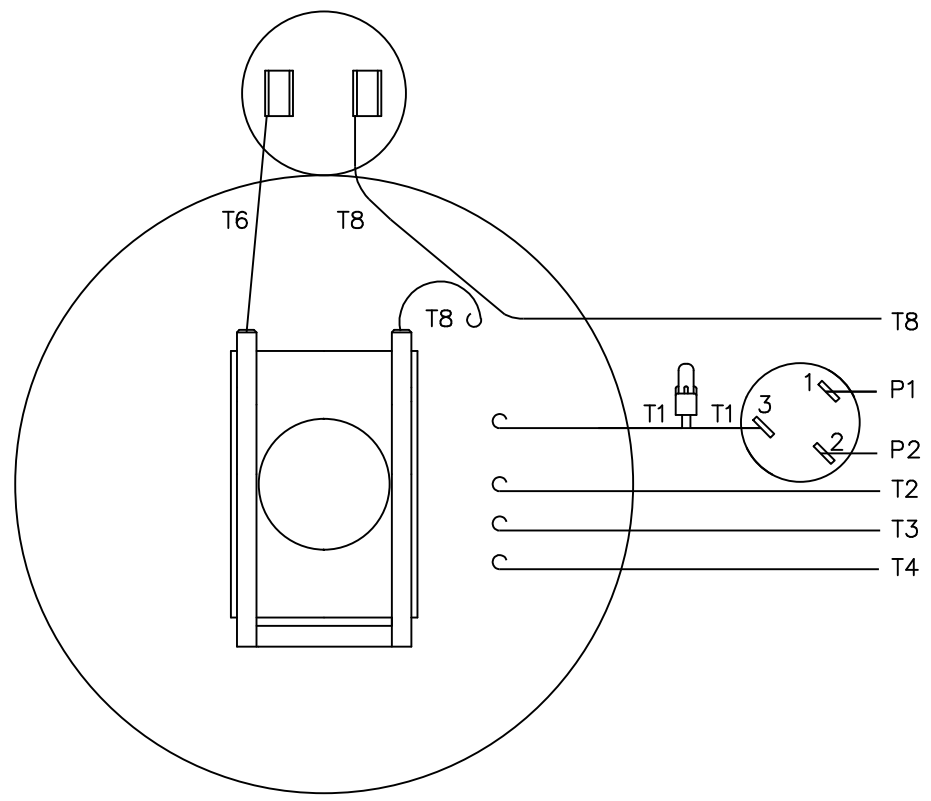


005331-01

VIEW FROM OUTSIDE OF MOTOR AT SWITCH END.



	ROTATION FACING LEAD END	L1	L2	JOIN	INSULATE SEPARATELY
HIGH VOLT	C.W.	P1	T4 T8	T2,T3	P2
LOW VOLT	C.W.	P1	T4,T2 T8	P2,T3	----

TOLERANCES UNLESS OTHERWISE SPECIFIED	
DECIMALS	
.00	± .01
.000	± .005
.0000	± .0005
FRACTIONS	
	± 1/64
ANGLES	
	± 1/2°
INCH/MM	

**LEESON** ELECTRIC CORPORATION

DRAWN EJM 03/25/91	TITLE
CH'K'D. RLP 03/25/91	EXTERNAL WIRING DIAGRAM TYPE "C" W/PROTECTOR
APPR. SJB 03/25/91+	MAT'L. DECAL - 080393
SCALE 1=1	

NO.	REVISION	BY	DATE
03	REDRAWN TO CURRENT STANDARDS	DBT	06/05/97

THIS DRAWING IN DESIGN AND DETAIL IS OUR PROPERTY AND MUST NOT BE USED EXCEPT IN CONNECTION WITH OUR WORK ALL RIGHTS OF DESIGN AND INVENTION ARE RESERVED	REF. 005030.02	FINISH	SIZE	DRAWING NO.
	FMF 6C34FC43	STOCK	A	005331-01