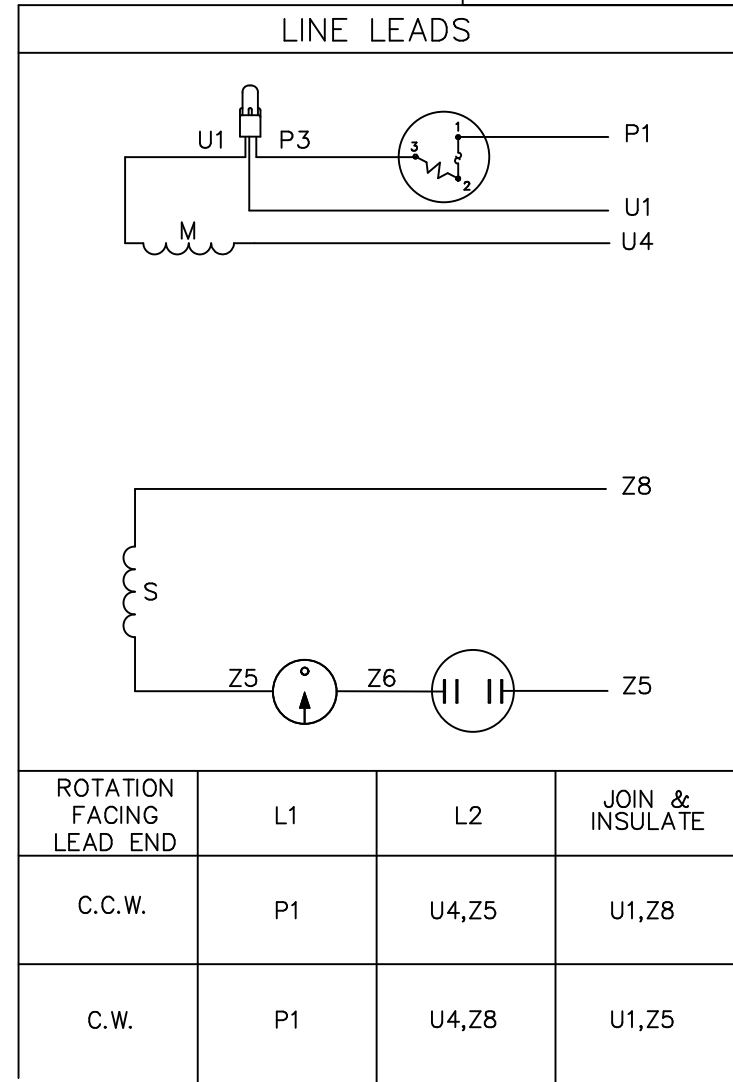
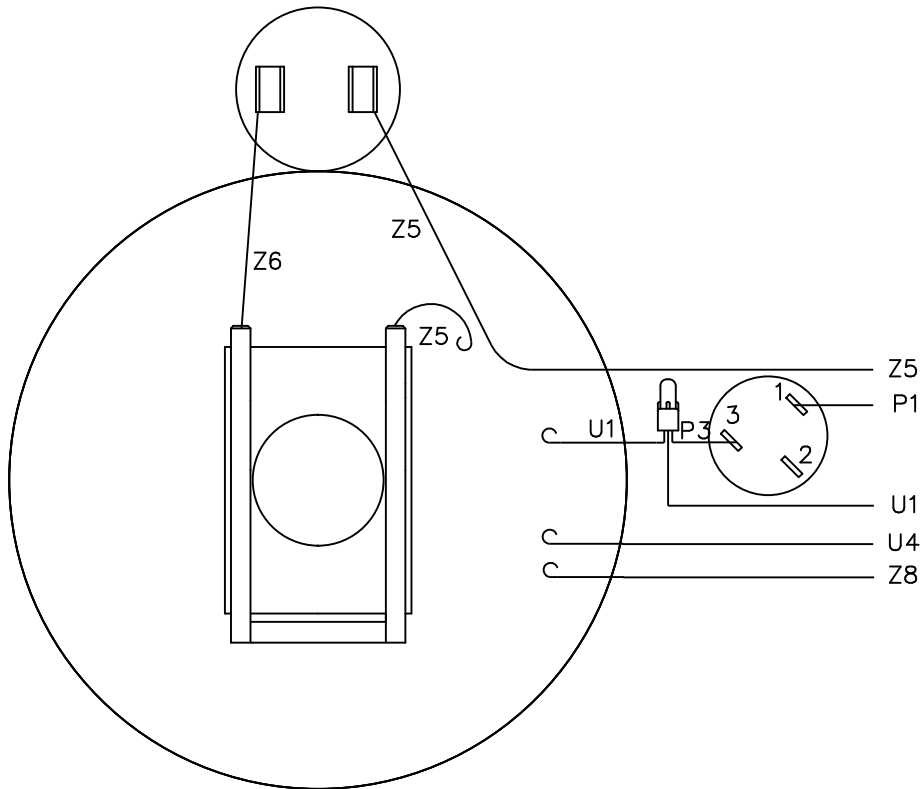


VIEW FROM OUTSIDE OF MOTOR AT SWITCH END.



TOLERANCES UNLESS OTHERWISE SPECIFIED

DECIMALS

.00 ± .01

.000 ± .005

.0000 ± .0005

FRACTIONS ± 1/64

ANGLES ± 1/2°

INCH/MM

**LEESON** ELECTRIC CORPORATION

DRAWN DBT 07/21/97

CH'K'D.

APPR.

SCALE 1=1

REF. 5

FMF

TITLE EXTERNAL WIRING DIAGRAM  
TYPE "C" W/PROTECTOR

MAT'L. DECAL - 080682

FINISH I.E.C.

MARKINGS

SIZE

A

DRAWING NO.

005410-02

THIS DRAWING IN DESIGN AND DETAIL IS OUR PROPERTY AND MUST NOT BE USED EXCEPT IN CONNECTION WITH OUR WORK ALL RIGHTS OF DESIGN AND INVENTION ARE RESERVED

NO.	REVISION	BY	DATE
-----	----------	----	------

ERROR: syntaxerror  
OFFENDING COMMAND: --nostringval--

STACK:

254  
/yacute  
253  
/udieresis  
252  
/ucircumflex  
251  
/uacute  
250  
/ugrave  
249  
/oslash  
248  
/divide  
247  
/odieresis  
246  
/otilde  
245  
/ocircumflex  
244  
/oacute  
243  
/ograve  
242  
/ntilde  
241  
/eth  
240  
/idieresis  
239  
/icircumflex  
238  
/iacute  
237  
/igrave  
236  
/edieresis  
235  
/ecircumflex  
234  
/eacute  
233  
/egrave  
232  
/cedilla  
231  
/ae  
230  
/aring  
229  
/adieresis  
228  
/atilde  
227  
/acircumflex  
226  
/aacute  
225  
/agrave  
224  
/germandbls  
223  
/Thorn  
222  
/Yacute  
221  
/Udieresis