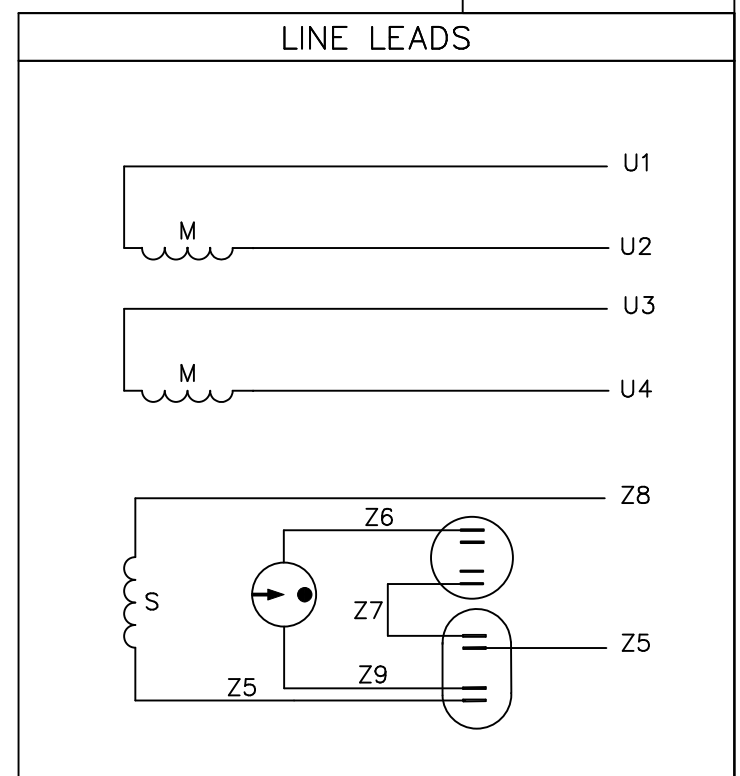
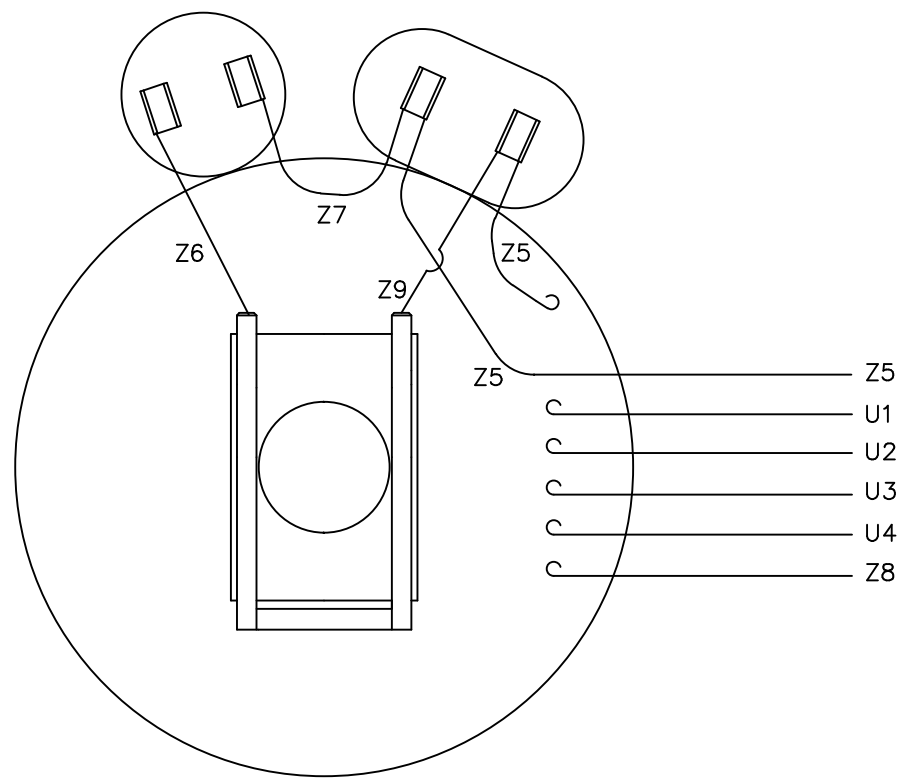


VIEW FROM OUTSIDE OF MOTOR AT SWITCH END.



	ROTATION FACING LEAD END	L1	L2	JOIN & INSULATE
HIGH VOLT	C.C.W.	U1	U4 Z5	U2,U3 Z8
	C.W.	U1	U4 Z8	U2,U3 Z5
LOW VOLT	C.C.W.	U1,U3 Z8	U2,U4 Z5	----
	C.W.	U1,U3 Z5	U2,U4 Z8	----

TOLERANCES UNLESS OTHERWISE SPECIFIED	
DECIMALS	
.00	± .01
.000	± .005
.0000	± .0005

LEESON ELECTRIC CORPORATION

DRAWN DBT 07/21/97	TITLE	EXTERNAL WIRING DIAGRAM TYPE "K" W/O PROTECTOR
CH'K'D.	MAT'L.	DECAL - 080642
APPR.	SCALE	1=1

NO.	REVISION	BY	DATE

FRACTIONS	± 1/64	SCALE	1=1	REF.	005018-01	FINISH	I.E.C.	SIZE	A	DRAWING NO.	005414-01
ANGLES	± 1/2°	MARKINGS		FMF							
INCH/MM											

THIS DRAWING IN DESIGN AND DETAIL IS OUR PROPERTY AND MUST NOT BE USED EXCEPT IN CONNECTION WITH OUR WORK ALL RIGHTS OF DESIGN AND INVENTION ARE RESERVED