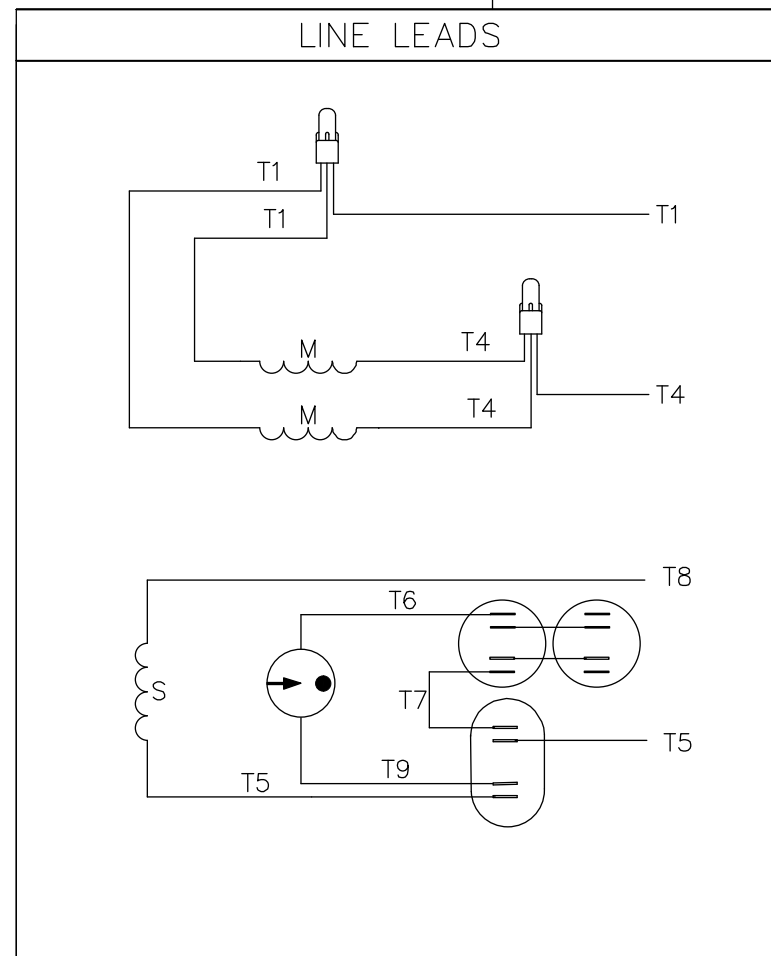


VIEW FROM OUTSIDE OF MOTOR AT SWITCH END

CAUTION:
LEAD WIRE INSULATION TO EXTEND MIN. OF 1/4" INTO CONNECTOR INSULATION



ROTATION FACING LEAD END	L1	L2	JOIN & INSULATE
C.C.W.	T1,T8	T4,T5	---
C.W.	T1,T5	T4,T8	---

NO.	REVISION	BY & DATE	CHK	TOLERANCES UNLESS SPECIFIED		FINISH	TITLE	DRAWN RDW 10/21/02		
				DEC.	INCHES					
				.X	±.1		ELECTRIC MOTORS GEARMOTORS AND DRIVES EXTERNAL WIRING DIAGRAM TYPE "K" W/O PROTECTOR DECAL 004018	CHK		
				.XX	±.01			APPD		
				.XXX	±.005			SCALE 1=2		
				.XXXX	±.0005			REF 005462-01		
				ANG ±1/2'				FMF 140581		
				RFP	10/21/02	CAD FILE	00546202	PREV		
				DIST				SIZE A	DRAWING NO. 005462-02	REV.



ELECTRIC MOTORS
GEARMOTORS
AND DRIVES

THIS DRAWING IN DESIGN AND DETAIL IS OUR PROPERTY AND MUST NOT BE USED EXCEPT IN CONNECTION WITH OUR WORK ALL RIGHTS OF DESIGN AND INVENTION ARE RESERVED THIS IS AN ELECTRONICALLY GENERATED DOCUMENT - DO NOT SCALE THIS PRINT