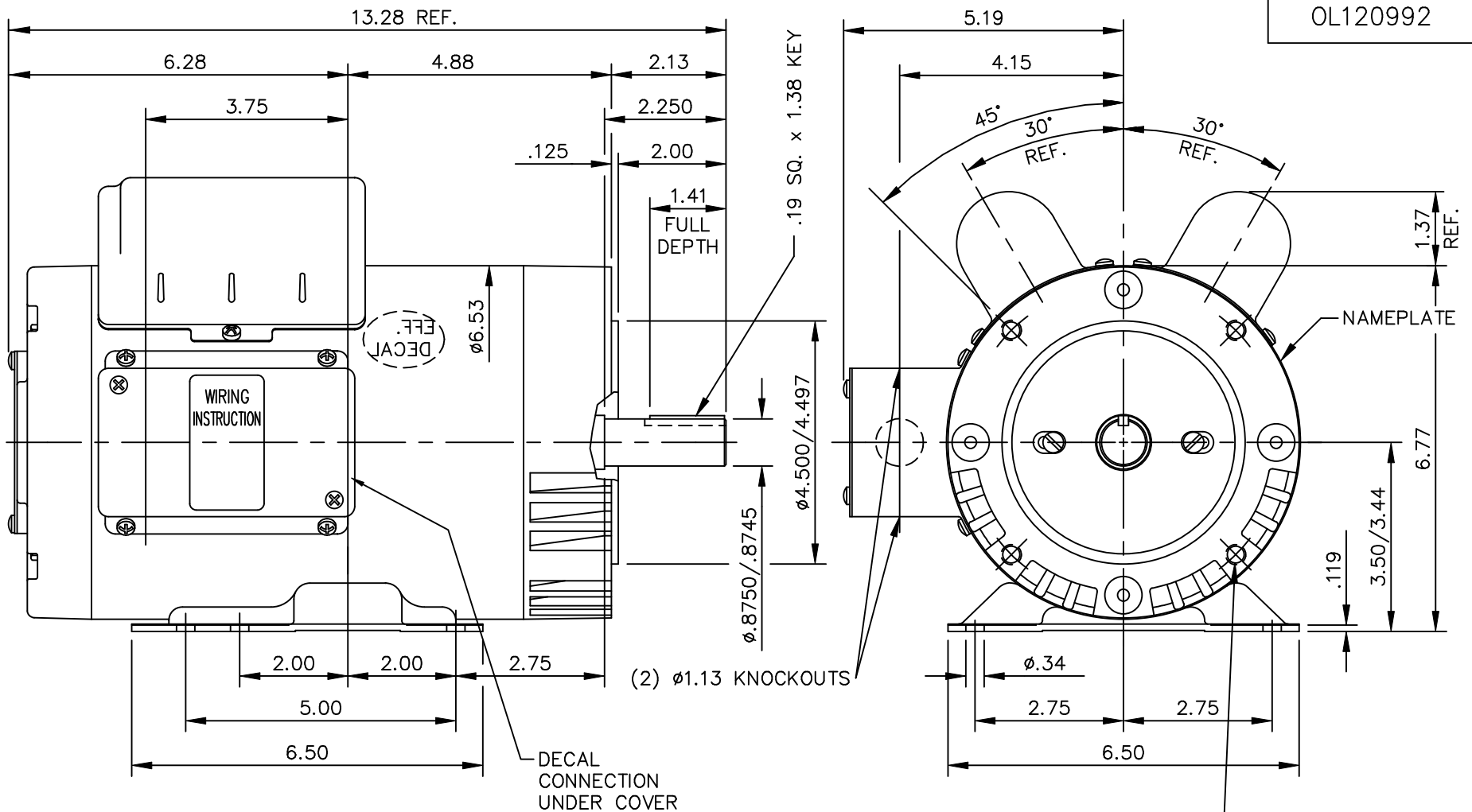


OL120992



MAXIMUM FACE RUNOUT TO BE .004 T.I.R.  
 MAXIMUM PILOT ECCENTRICITY TO BE .004 T.I.R.  
 PERMISSIBLE SHAFT RUNOUT TO BE .002 T.I.R.

3/8-16 UNC 2B TAP - .56 DEEP  
 4 REQUIRED ON A  $\phi 5.875$  B.C.

				TOLERANCES UNLESS OTHERWISE SPECIFIED		<b>LEESON</b> ELECTRIC CORPORATION			
				DECIMALS					
				.00	± .01	DRAWN BPW 01/03/00	TITLE		
				.000	± .005	CH'K'D.	OUTLINE		
01	ADDED DECALS	RLW	8/02/01	.0000	± .0005	APPR.	J140TC FRAME		
NO.	REVISION	BY	DATE	FRACTIONS	± 1/64	SCALE .375=1	MAT'L.		
THIS DRAWING IN DESIGN AND DETAIL IS OUR PROPERTY AND MUST NOT BE USED EXCEPT IN CONNECTION WITH OUR WORK ALL RIGHTS OF DESIGN AND INVENTION ARE RESERVED				ANGLES	± 1/2°	REF. 034212	FINISH	SIZE	DRAWING NO.
				INCH/MM		FMF	STANDARD	A	OL120992