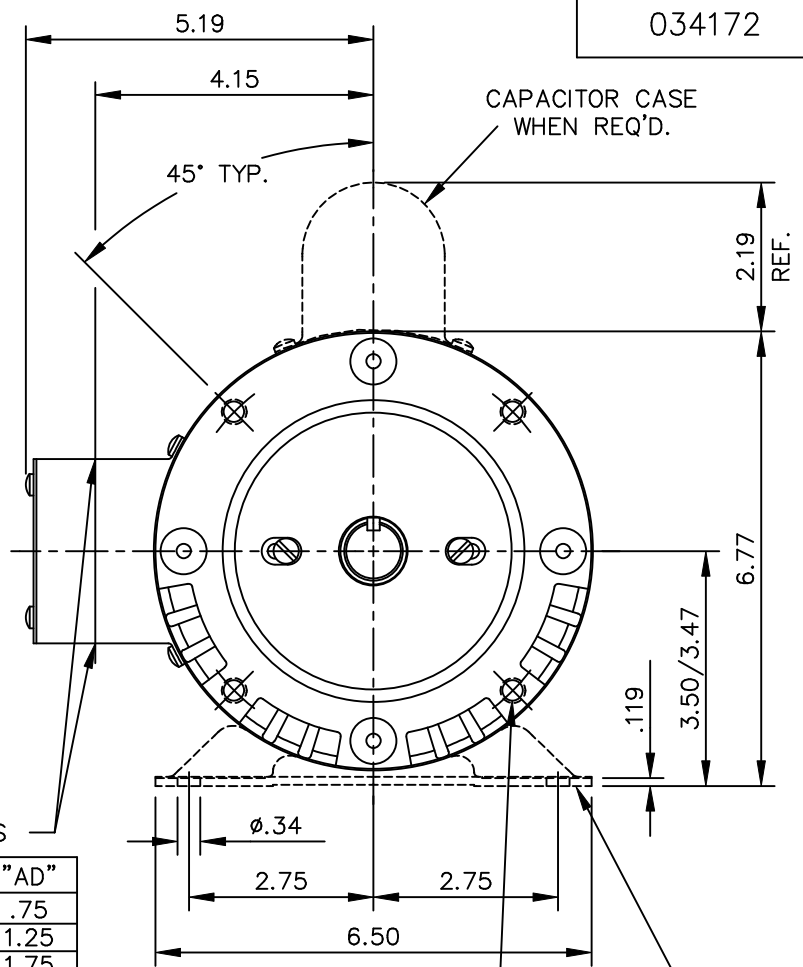
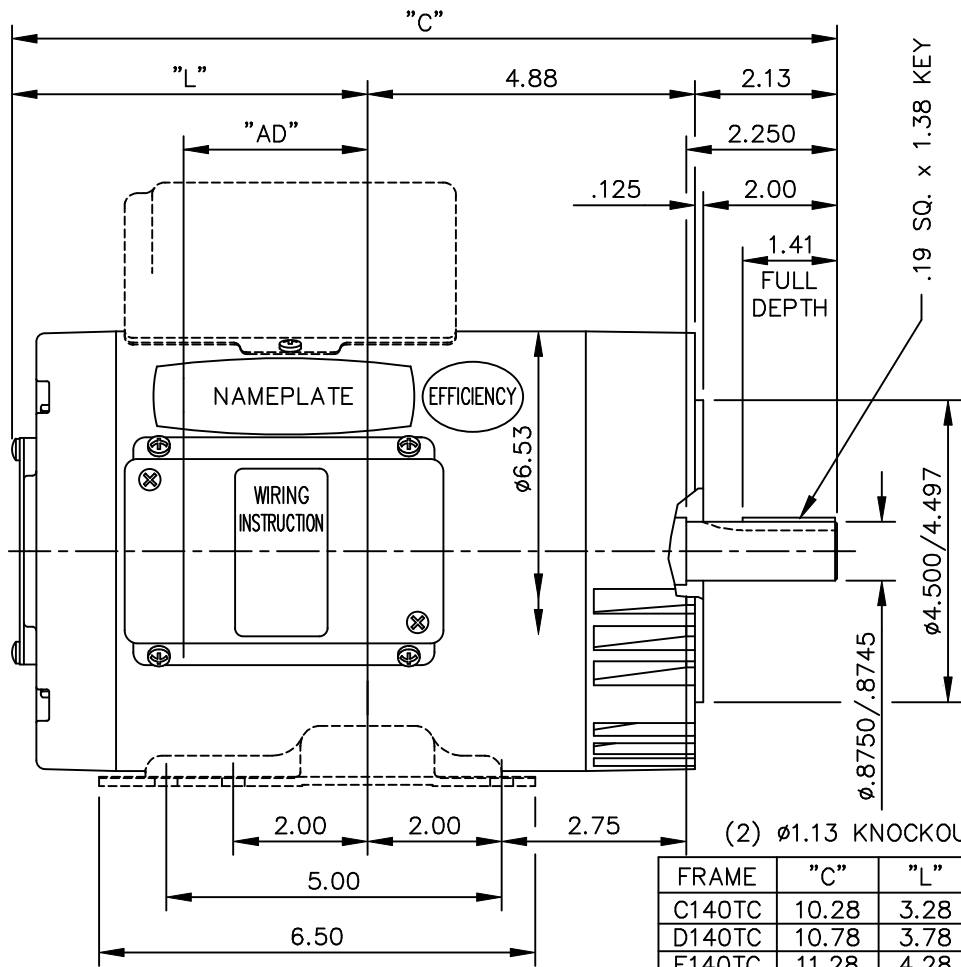


034172



MAXIMUM FACE RUNOUT TO BE .004 T.I.R.
 MAXIMUM PILOT ECCENTRICITY TO BE .004 T.I.R.
 PERMISSIBLE SHAFT RUNOUT TO BE .002 T.I.R.

FRAME	"C"	"L"	"AD"
C140TC	10.28	3.28	.75
D140TC	10.78	3.78	1.25
E140TC	11.28	4.28	1.75
F140TC	11.78	4.78	2.25
G140TC	12.28	5.28	2.75
H140TC	12.78	5.78	3.25
J140TC	13.28	6.28	3.75
K140TC	13.78	6.78	4.25

3/8-16 UNC 2B TAP - .56 DEEP
 4 REQUIRED ON A Ø5.875 B.C.

BASE OPTIONAL

				TOLERANCES UNLESS OTHERWISE SPECIFIED		LEESON ELECTRIC CORPORATION		
				DECIMALS				
03	ADDED DECALS	GWS	6/18/09	.00	± .01	DRAWN JAS 2/1/93	TITLE	
02	ADDED K140TC FRAME	DBT	08/15/97	.000	± .005	CH'K'D.	OUTLINE	
01	ADDED J FRAME (120082)	GM	7/7/93	.0000	± .0005	APPR. PG 2/2/93	140TC FRAME	
NO.	REVISION	BY	DATE	FRACTIONS	± 1/64	SCALE .375=1	MAT'L.	
THIS DRAWING IN DESIGN AND DETAIL IS OUR PROPERTY AND MUST NOT BE USED EXCEPT IN CONNECTION WITH OUR WORK ALL RIGHTS OF DESIGN AND INVENTION ARE RESERVED				ANGLES	± 1/2°	REF.	FINISH	
				INCH/MM		FMF 145T34DK6	SIZE	DRAWING NO.
							STANDARD	A