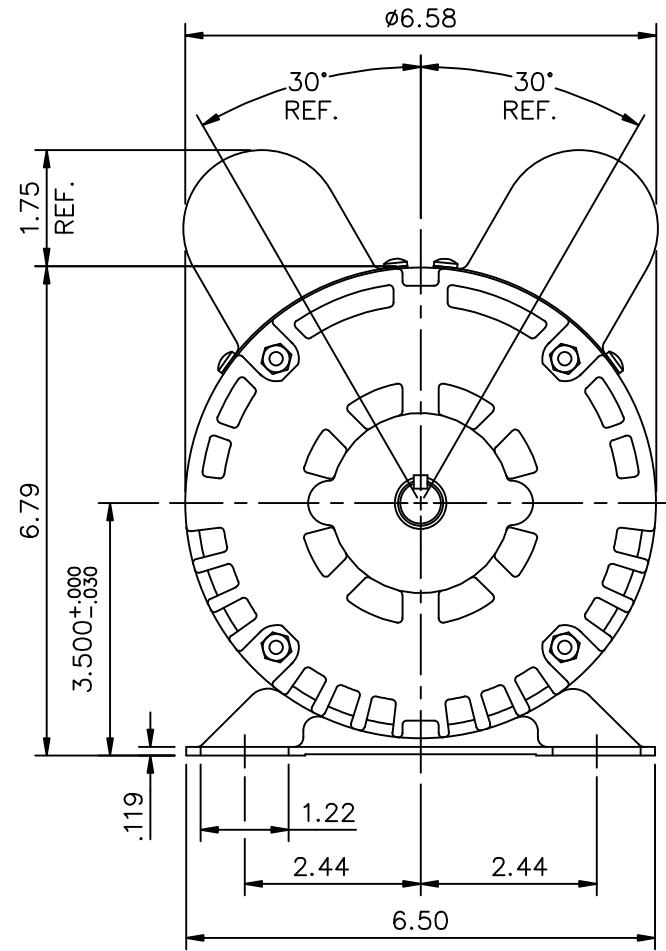
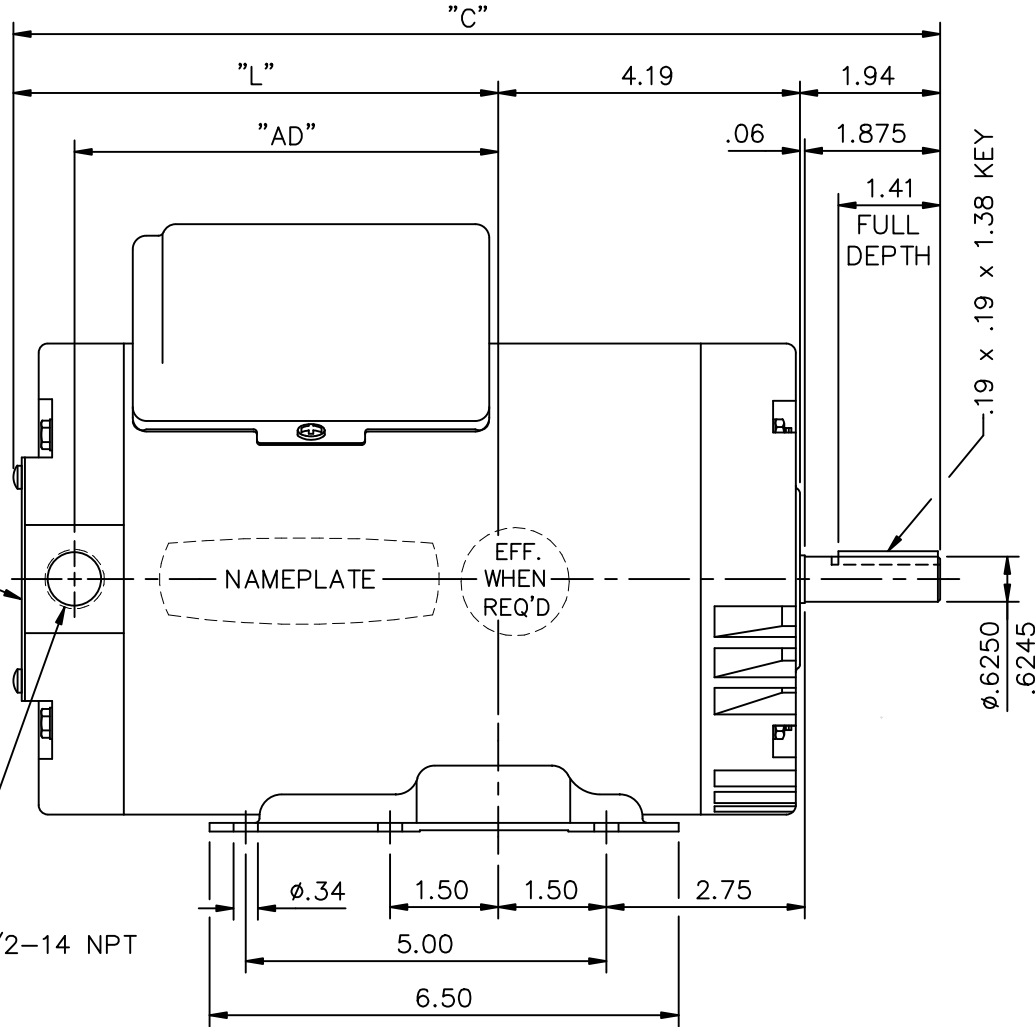



CONNECTION DECAL ON INSIDE OF COVER
WARNING DECAL ON OUTSIDE OF COVER



FRAME	"C"	"L"	"AD"
H56H	12.38	6.25	5.38
J56H	12.88	6.75	5.88

		TOLERANCES UNLESS SPECIFIED		 ELECTRIC MOTORS GEARMOTORS AND DRIVES	DRAWN WLW 10/5/76			
		DEC.	INCHES		CHK MM 10/28/76	APPD WRK 10/28/76		
		.X	±.1	TITLE OUTLINE - 56 FRAME OPEN DRIP PROOF	SCALE	3=8		
03	ADDED DECAL NOTES PER ASSEMBLY	GWS	8/17/11		.XXX	±.005	REF	
02	REDRAWN, ADDED J56H FRAME (115095)	RDW	1/2/97		.XXXX	±.0005	FMM 6K17DB3	
NO.	REVISION	BY & DATE	CHK	ANG	±1/2"	FINISH	PREV	
THIS DRAWING IN DESIGN AND DETAIL IS OUR PROPERTY AND MUST NOT BE USED EXCEPT IN CONNECTION WITH OUR WORK ALL RIGHTS OF DESIGN AND INVENTION ARE RESERVED THIS IS AN ELECTRONICALLY GENERATED DOCUMENT - DO NOT SCALE THIS PRINT				RFP	CAD FILE 032658	SIZE A	DRAWING NO. 032658	PAGE OF 03
				DIST				