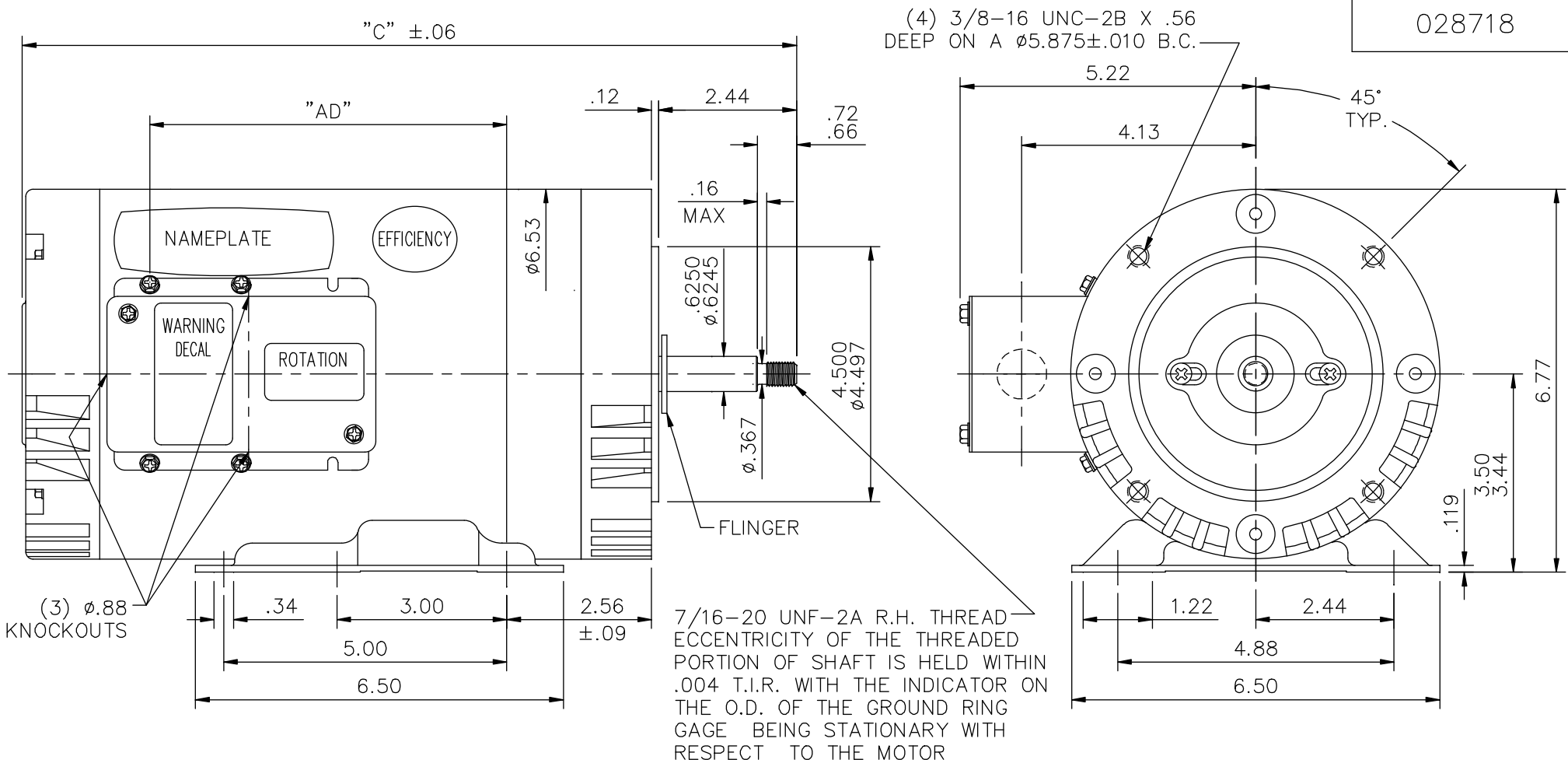


028718



(3) Ø.88 KNOCKOUTS

NOTES:
 FLINGER ON SHAFT
 STAINLESS STEEL SHAFT EXTENSION
 MAXIMUM FACE RUNOUT TO BE .004 T.I.R.
 MAXIMUM PILOT ECCENTRICITY .004 T.I.R.

DASH NO.	"C"	"AD"
650	11.68	4.31
700	12.18	4.81
750	12.68	5.31
800	13.18	5.81
850	13.68	6.31



ELECTRIC MOTORS
 GEARMOTORS
 AND DRIVES

DRAWN	LST 8/30/05
CHK	RW 9/1/05
APPD	KH 9/1/05
SCALE	3=8
REF	
FMF	
PREV	

NO.	REVISION	BY & DATE	CHK	ANG	TOLERANCES UNLESS SPECIFIED	
					DEC.	INCHES
03	ADDED TOL. TO 5.875 DIM. PER ECR-0047655	ARV 12/1/13	SK	.XX	±.03	TITLE OUTLINE- 56HJ FRAME DRIP PROOF- RIGID "C"
02	ADDED ROTATION DECAL PER ASSEMBLY	GWS 8/5/11		.XXX	±.005	
01	CHANGED TO "H" BASE	RDW 4/11/06	KH	.XXXX	±.0005	
					±1/2'	MAT'L. JET PUMP

RFP	CAD FILE	028718	SIZE	DRAWING NO.	REV.
DIST			A	028718	03

THIS DRAWING IN DESIGN AND DETAIL IS OUR PROPERTY AND MUST NOT BE USED EXCEPT IN CONNECTION WITH OUR WORK ALL RIGHTS OF DESIGN AND INVENTION ARE RESERVED THIS IS AN ELECTRONICALLY GENERATED DOCUMENT - DO NOT SCALE THIS PRINT