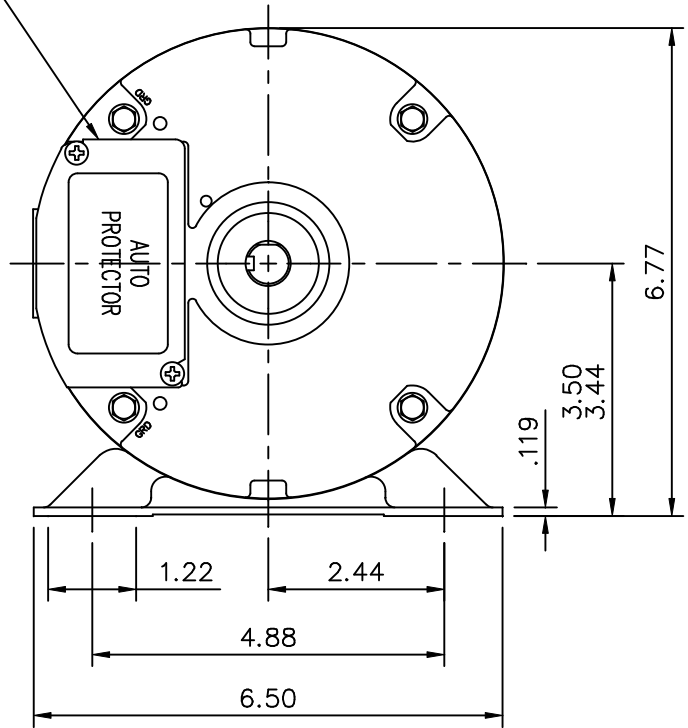


DECAL - CONNECTION UNDER COVER (WHEN REQ'D)



DASH NO.	"C"	"AD"
650	14.06	7.09
700	14.56	7.59

GASKETS THROUGHOUT

TOLERANCES UNLESS SPECIFIED

DEC.	INCHES
.X	±.1
.XX	±.03
.XXX	±.005
.XXXX	±.0005
ANG	±1/2°



ELECTRIC MOTORS
GEARMOTORS
AND DRIVES

DRAWN BJB 06/23/03

CHK

APPD

SCALE 3=8

REF

FMF

PREV

TITLE

OUTLINE - 56 FRAME
OPEN DRIP PROOF - RIGID

MAT'L.

CONDENSER FAN

FINISH

NO.

REVISION

BY & DATE

CHK

RFP

DIST BRF-NLV

CAD FILE

028557

SIZE

A

DRAWING NO.

028557

REV.

THIS DRAWING IN DESIGN AND DETAIL IS OUR PROPERTY AND MUST NOT BE USED EXCEPT IN CONNECTION WITH OUR WORK ALL RIGHTS OF DESIGN AND INVENTION ARE RESERVED THIS IS AN ELECTRONICALLY GENERATED DOCUMENT - DO NOT SCALE THIS PRINT