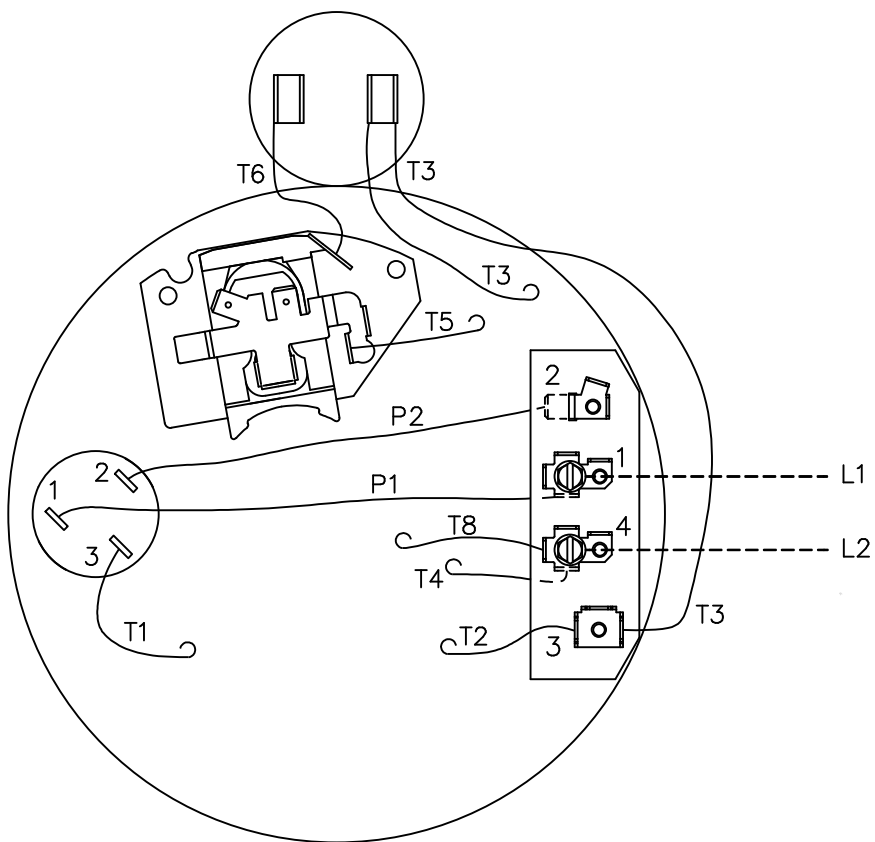
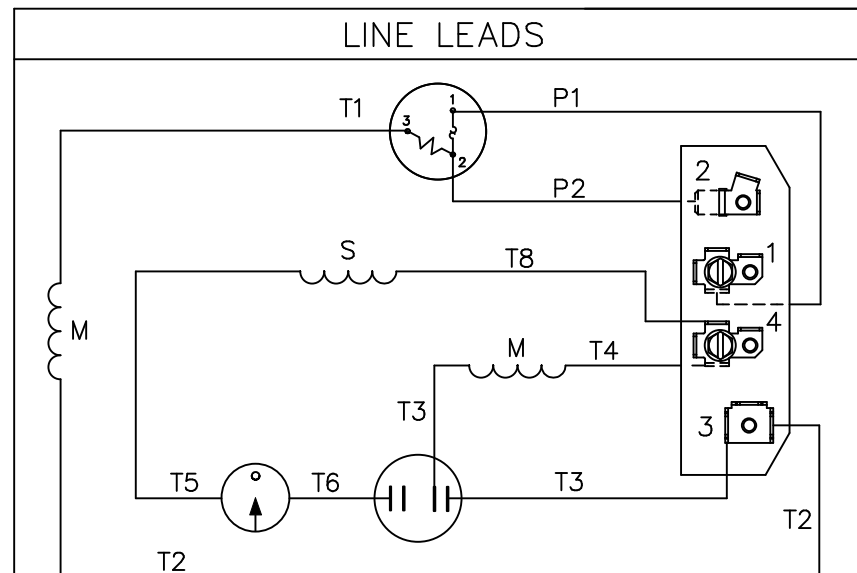


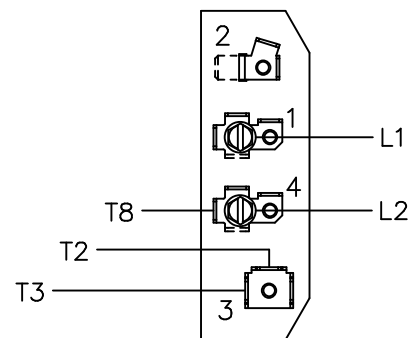
VIEW FROM OUTSIDE OF MOTOR AT SWITCH END.



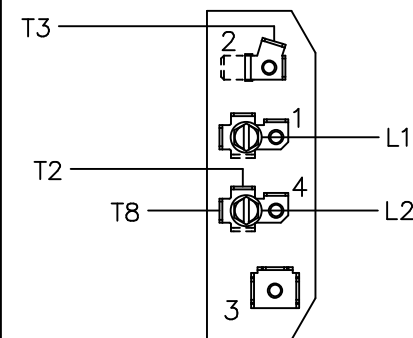
P1, P2, T4 TO GO TO  
BACK SIDE OF TERMINAL BOARD



HIGH VOLTAGE  
C.W.L.E. ROTATION



LOW VOLTAGE  
C.W.L.E. ROTATION



NO.	REVISION	BY & DATE	CHK	TOLERANCES UNLESS SPECIFIED	
				DEC.	INCHES
				.X	±.1
				.XX	±.01
				.XXX	±.005
				.XXXX	±.0005
				ANG	±1/2°

	ELECTRIC MOTORS GEARMOTORS AND DRIVES	DRAWN PG 1/31/03
		CHK
		APPD
		SCALE 1=1
		REF 005049-13
MAT'L. DUAL VOLTAGE - C.W.L.E. ROTATION	FINISH	FMF 100207.00
PREV		

THIS DRAWING IN DESIGN AND DETAIL IS OUR PROPERTY AND MUST NOT BE USED EXCEPT IN CONNECTION WITH OUR WORK ALL RIGHTS OF DESIGN AND INVENTION ARE RESERVED THIS IS AN ELECTRONICALLY GENERATED DOCUMENT - DO NOT SCALE THIS PRINT		RFP	CAD FILE 00504917	SIZE A	DRAWING NO. 005049-17	REV.
		DIST				