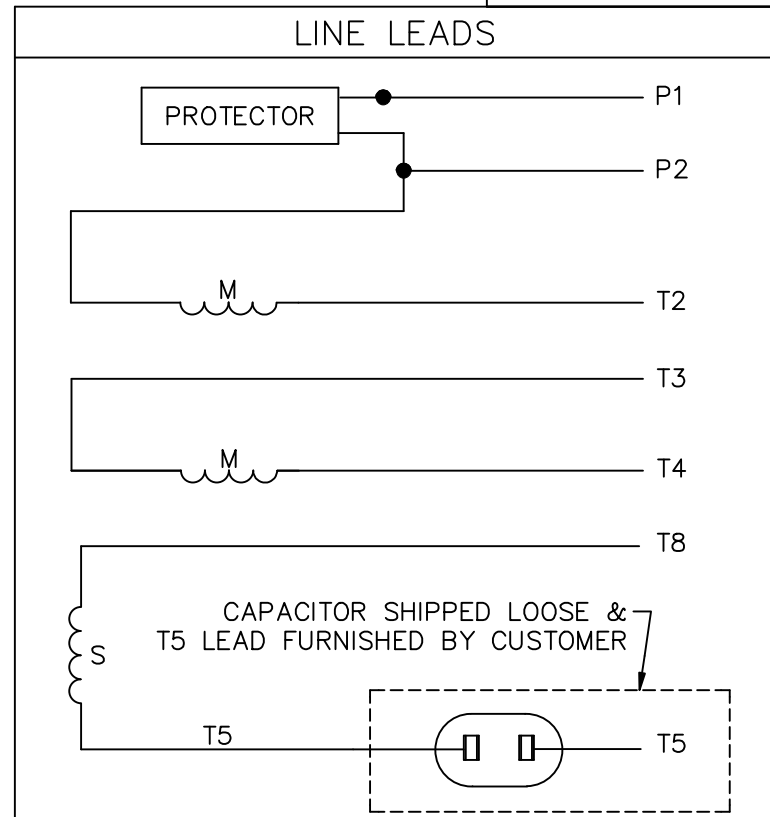
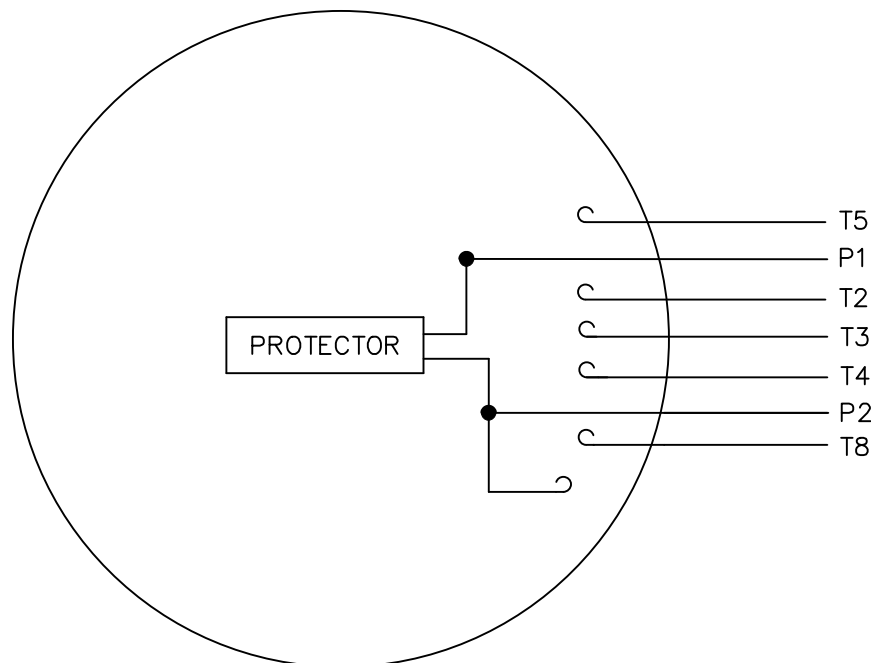


VIEW FROM OUTSIDE OF MOTOR AT SWITCH END.



	ROTATION FACING LEAD END	L1	L2	JOIN	INSULATE SEPARATELY
HIGH VOLT	C.C.W.	P1	T4 T5	T2,T3 T8	P2
	C.W.	P1	T4 T8	T2,T3 T5	P2
LOW VOLT	C.C.W.	P1	T2,T4 T5	P2,T3 T8	--
	C.W.	P1	T2,T4 T8	P2,T3 T5	--

		TOLERANCES UNLESS SPECIFIED		LEESON ELECTRIC MOTORS GEARMOTORS AND DRIVES		DRAWN PG 7/25/02	
		DEC.	INCHES	TITLE		CHK	
		.X	±.1	EXTERNAL WIRING DIAGRAM TYPE "P" W/PROTECTOR		APPD	
02 DECAL WAS 080439 ISAAC 10-3389		GWS 8/4/10	.XX ±.01	MAT'L. DECAL - 92381		SCALE 1=1	
01 UPDATED CAPACITOR NOTE PER CN #03-96		KMM 3/21/03	.XXX ±.005	FINISH		REF 005109-06	
NO. REVISION		BY & DATE	CHK ANG ±1/2'	CAD FILE 00510916		FMF 101341.00	
THIS DRAWING IN DESIGN AND DETAIL IS OUR PROPERTY AND MUST NOT BE USED EXCEPT IN CONNECTION WITH OUR WORK ALL RIGHTS OF DESIGN AND INVENTION ARE RESERVED THIS IS AN ELECTRONICALLY GENERATED DOCUMENT - DO NOT SCALE THIS PRINT		RFP		SIZE A		DRAWING NO. 005109-16	
		DIST				REV. 02	