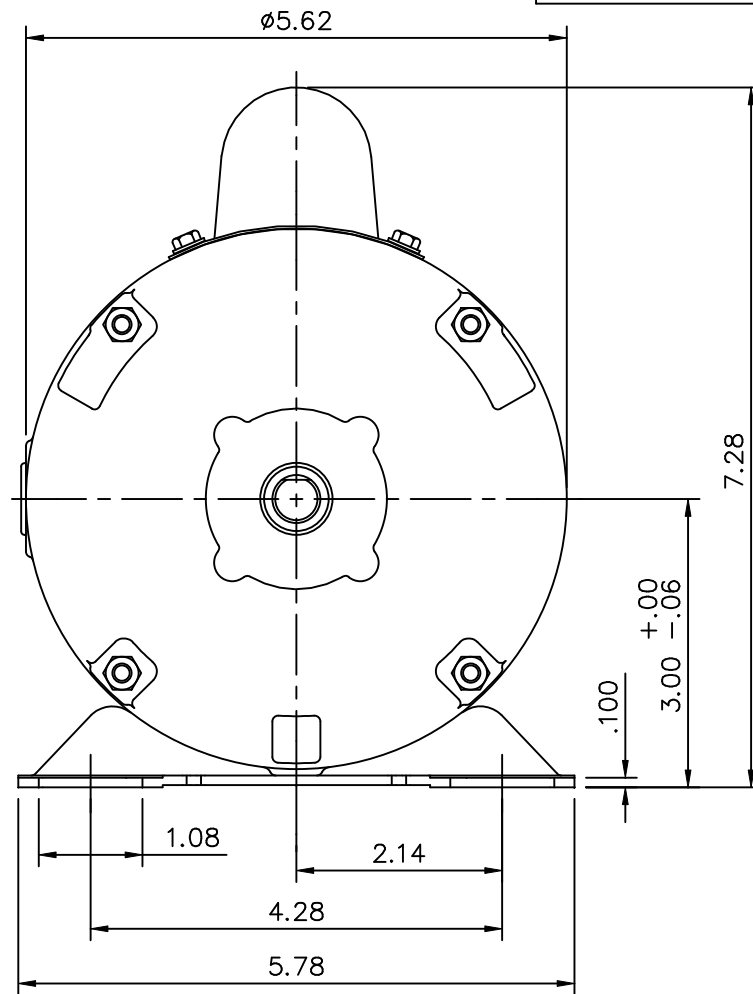
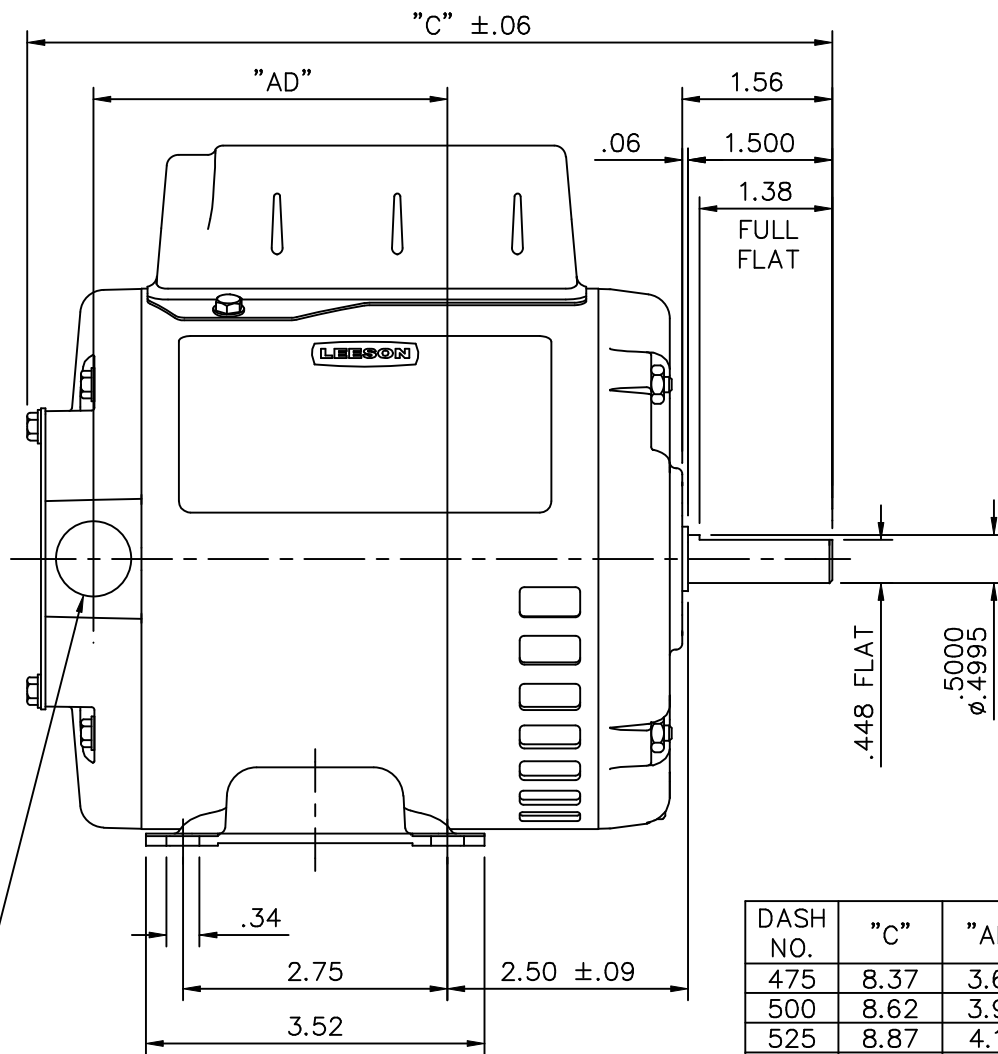


031621



DASH NO.	"C"	"AD"
475	8.37	3.68
500	8.62	3.93
525	8.87	4.18
550	9.12	4.43
575	9.37	4.68
600	9.62	4.93
625	9.87	5.18
650	10.12	5.43
675	10.37	5.68

1/2-14 NPT
CONDUIT HOLE
(PLUGGED)

TOLERANCES UNLESS OTHERWISE SPECIFIED

DEC.	INCHES	METRIC
.X	±.1	±2.5
.XX	±.03	±.76
.XXX	±.005	±.127
.XXXX	±.0005	±.0127

LEESON ELECTRIC CORPORATION

DRAWN PG 5/24/01

TITLE OUTLINE - 48 FRAME
RIGID MOUNT - DRIP PROOF

APPR.

R.F.P.

MAT'L. 1 PHASE

SCALE 1=2

NO.	REVISION	BY & DATE	CH'K'D.

THIS DRAWING IN DESIGN AND DETAIL IS OUR PROPERTY AND MUST NOT BE USED EXCEPT IN CONNECTION WITH OUR WORK ALL RIGHTS OF DESIGN AND INVENTION ARE RESERVED THIS IS AN ELECTRONICALLY GENERATED DOCUMENT - DO NOT SCALE THIS PRINT

FRACTIONS	±1/64
ANGLES	±1/2'

REF.	031068
FMF	100338

FINISH	
--------	--

REV.	
DRAWING NO.	031621