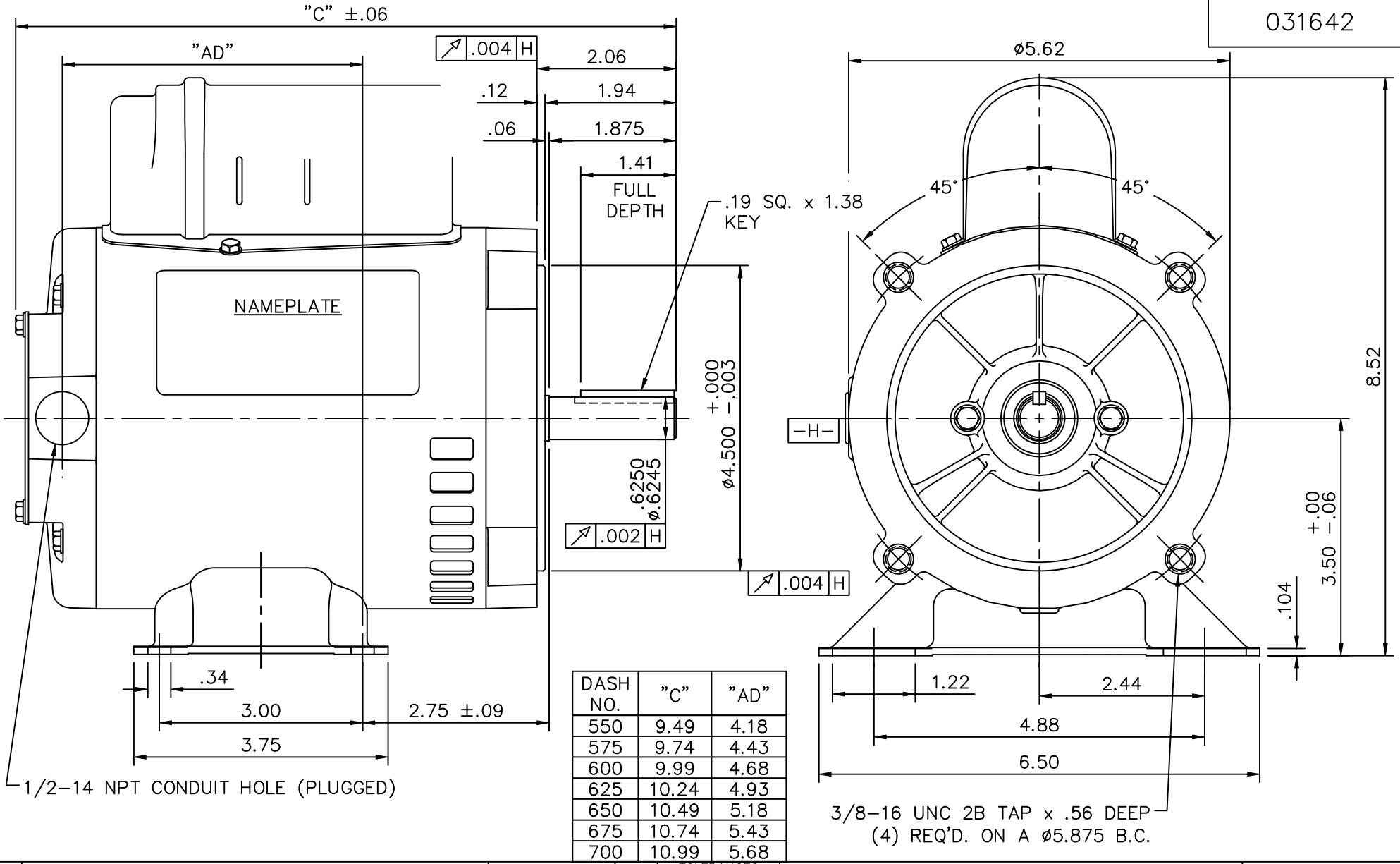


031642



DASH NO.	"C"	"AD"
550	9.49	4.18
575	9.74	4.43
600	9.99	4.68
625	10.24	4.93
650	10.49	5.18
675	10.74	5.43
700	10.99	5.68



ELECTRIC MOTORS
GEARMOTORS
AND DRIVES

DRAWN	PG 7/26/01
CHK	
APPD	
SCALE	1=2
REF	031070
FMF	
PREV	

TITLE	OUTLINE - S56C FRAME RIGID "C" FACE - DRIP PROOF
MAT'L.	1 PHASE
FINISH	

THIS DRAWING IN DESIGN AND DETAIL IS OUR PROPERTY AND MUST NOT BE USED EXCEPT IN CONNECTION WITH OUR WORK ALL RIGHTS OF DESIGN AND INVENTION ARE RESERVED THIS IS AN ELECTRONICALLY GENERATED DOCUMENT - DO NOT SCALE THIS PRINT

RFP	CAD FILE	031642	SIZE	DRAWING NO.	REV.
DIST			A	031642	01