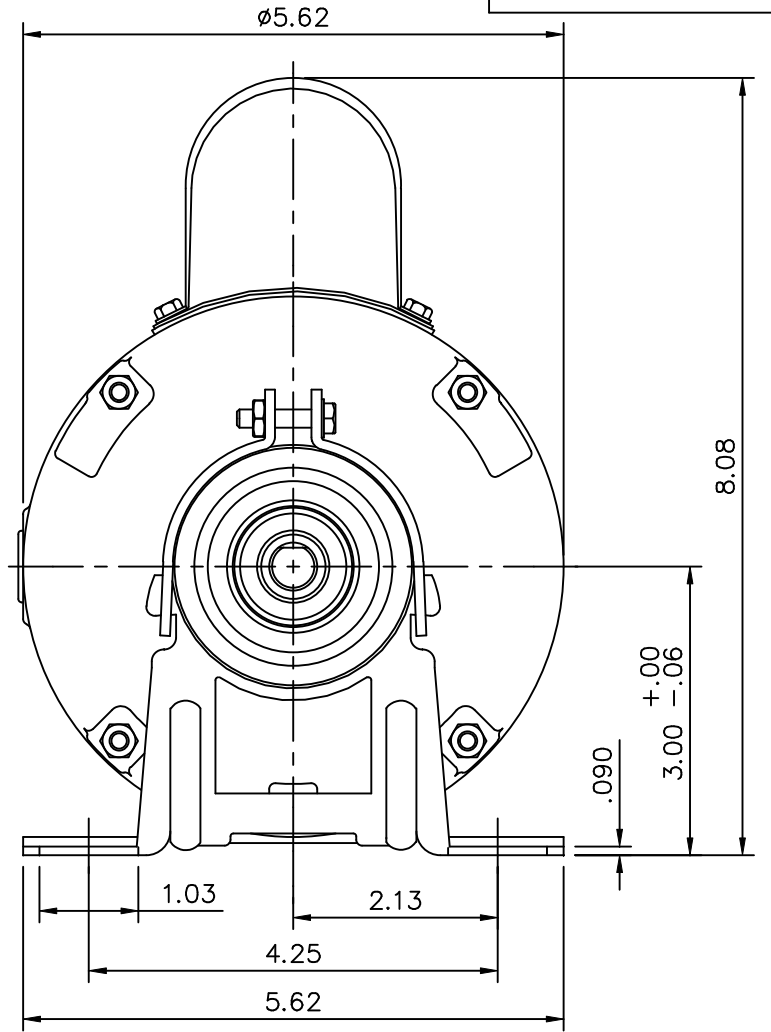
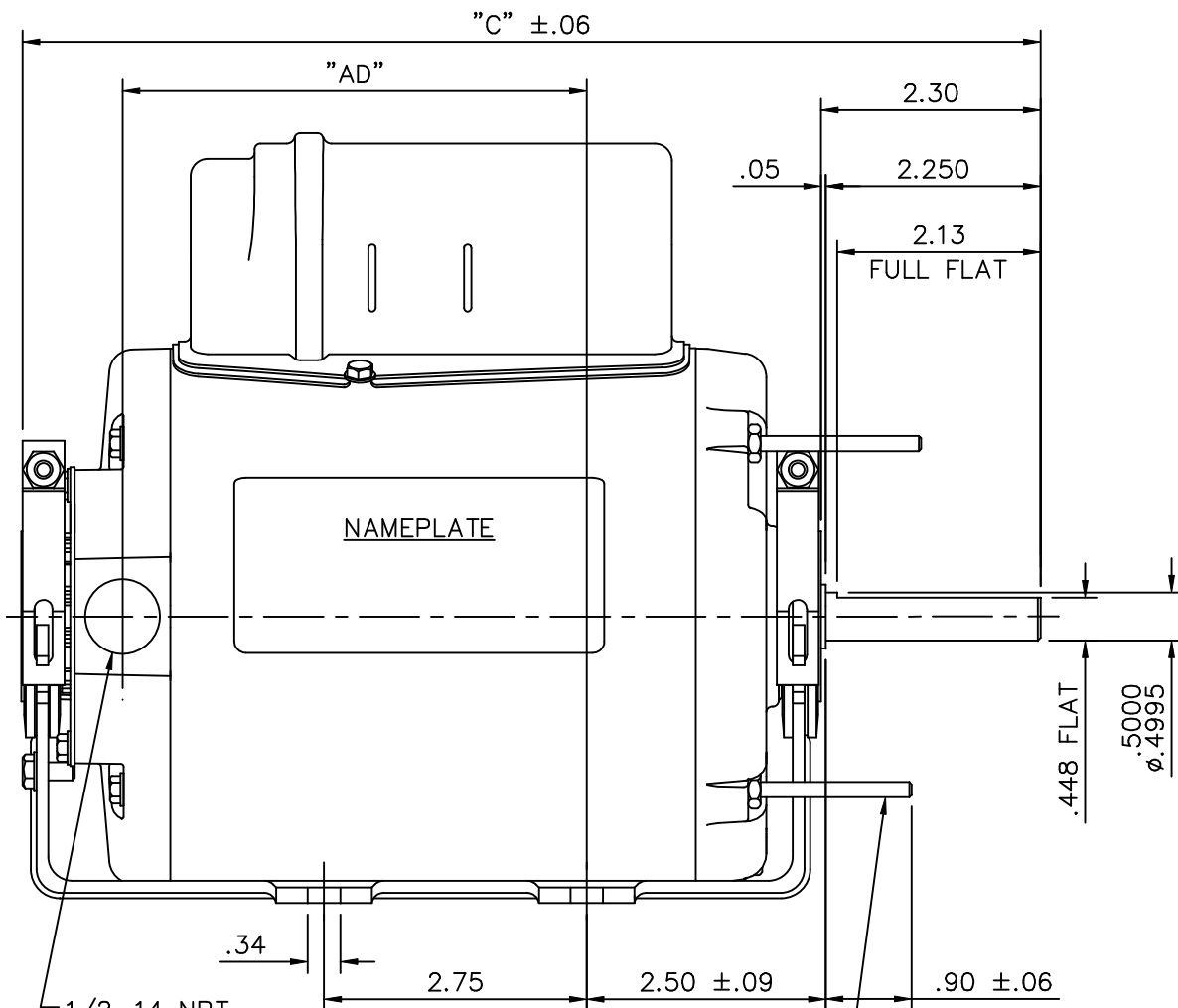


031705



10-32 UNF 2A THRU BOLTS
(4) REQ'D. ON A ø5.125 B.C.

DASH NO.	"C"	"AD"
550	10.66	4.86
600	11.16	5.36
650	11.66	5.86
700	12.16	6.36

GASKETS THROUGHOUT



ELECTRIC MOTORS
GEARMOTORS
AND DRIVES

DRAWN	PG 7/24/02
CHK	
APPD	
SCALE	1=2
REF	031079
FMF	100804.00
PREV	

TITLE
OUTLINE - 48Z FRAME
RESILIENT MOUNT - ENCLOSED

NO.	REVISION	BY & DATE	CHK	TOLERANCES UNLESS SPECIFIED		FINISH
				DEC.	INCHES	
				.X	±.1	
				.XX	±.03	
				.XXX	±.005	
				.XXXX	±.0005	
				ANG	±1/2°	

RFP	CAD FILE	031705	SIZE	DRAWING NO.	REV.
DIST			A	031705	

THIS DRAWING IN DESIGN AND DETAIL IS OUR PROPERTY AND MUST NOT BE USED EXCEPT IN CONNECTION WITH OUR WORK ALL RIGHTS OF DESIGN AND INVENTION ARE RESERVED THIS IS AN ELECTRONICALLY GENERATED DOCUMENT - DO NOT SCALE THIS PRINT

ERROR: syntaxerror
OFFENDING COMMAND: --nostringval--

STACK:

/RS
-dictionary-
/Pscript_WinNT_Compat
-dictionary-