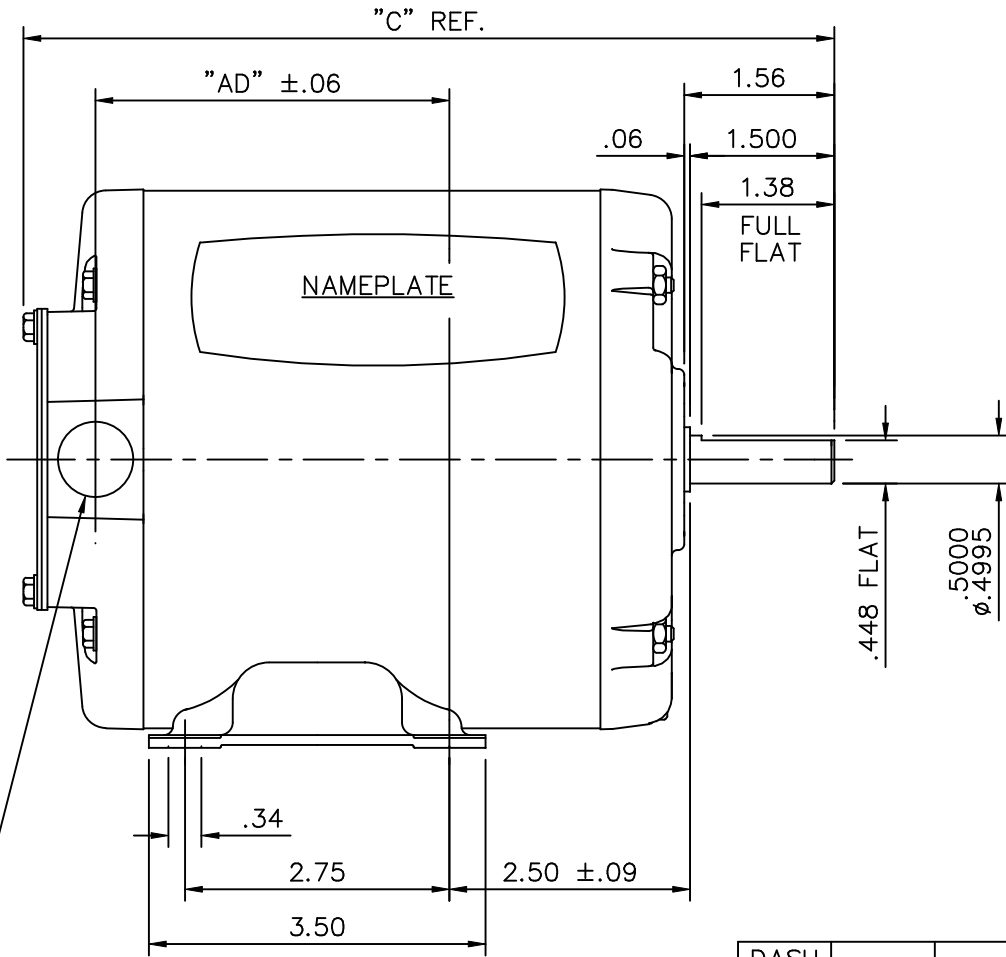
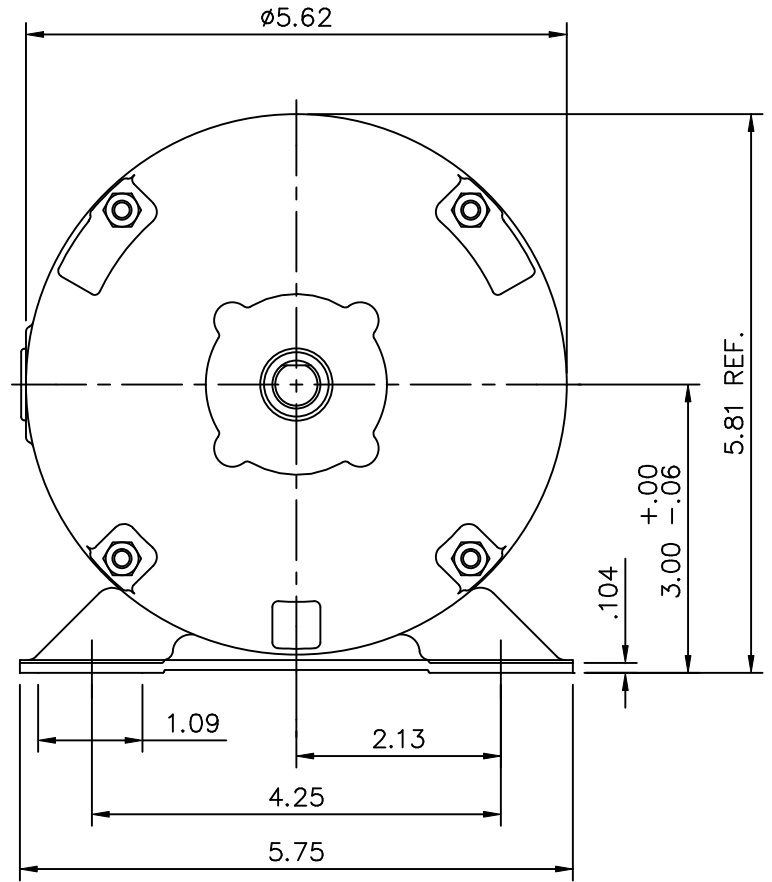


031804



1/2-14 NPT
CONDUIT HOLE
(PLUGGED)

DASH NO.	"C"	"AD"
450	8.12	3.43
475	8.37	3.68
500	8.62	3.93
525	8.87	4.18
550	9.12	4.43
575	9.37	4.68
600	9.62	4.93



GASKETS THROUGHOUT

TOLERANCES
UNLESS SPECIFIED

DEC. INCHES

.X ±.1

.XX ±.03

.XXX ±.005

.XXXX ±.0005

ANG ±1/2"



ELECTRIC MOTORS
GEARMOTORS
AND DRIVES

DRAWN PG 02/17/05

CHK

APPD PG 02/17/05

SCALE 1=2

REF 031086

FMF 101013.00

PREV

TITLE
OUTLINE - 48 FRAME
RIGID MOUNT - TENV

MAT'L.

FINISH

NO.	REVISION	BY & DATE	CHK	ANG

THIS DRAWING IN DESIGN AND DETAIL IS OUR PROPERTY AND MUST NOT BE USED EXCEPT IN CONNECTION WITH OUR WORK ALL RIGHTS OF DESIGN AND INVENTION ARE RESERVED THIS IS AN ELECTRONICALLY GENERATED DOCUMENT - DO NOT SCALE THIS PRINT

RFP

DIST

CAD FILE 031804

SIZE DRAWING NO.

A

031804

REV.