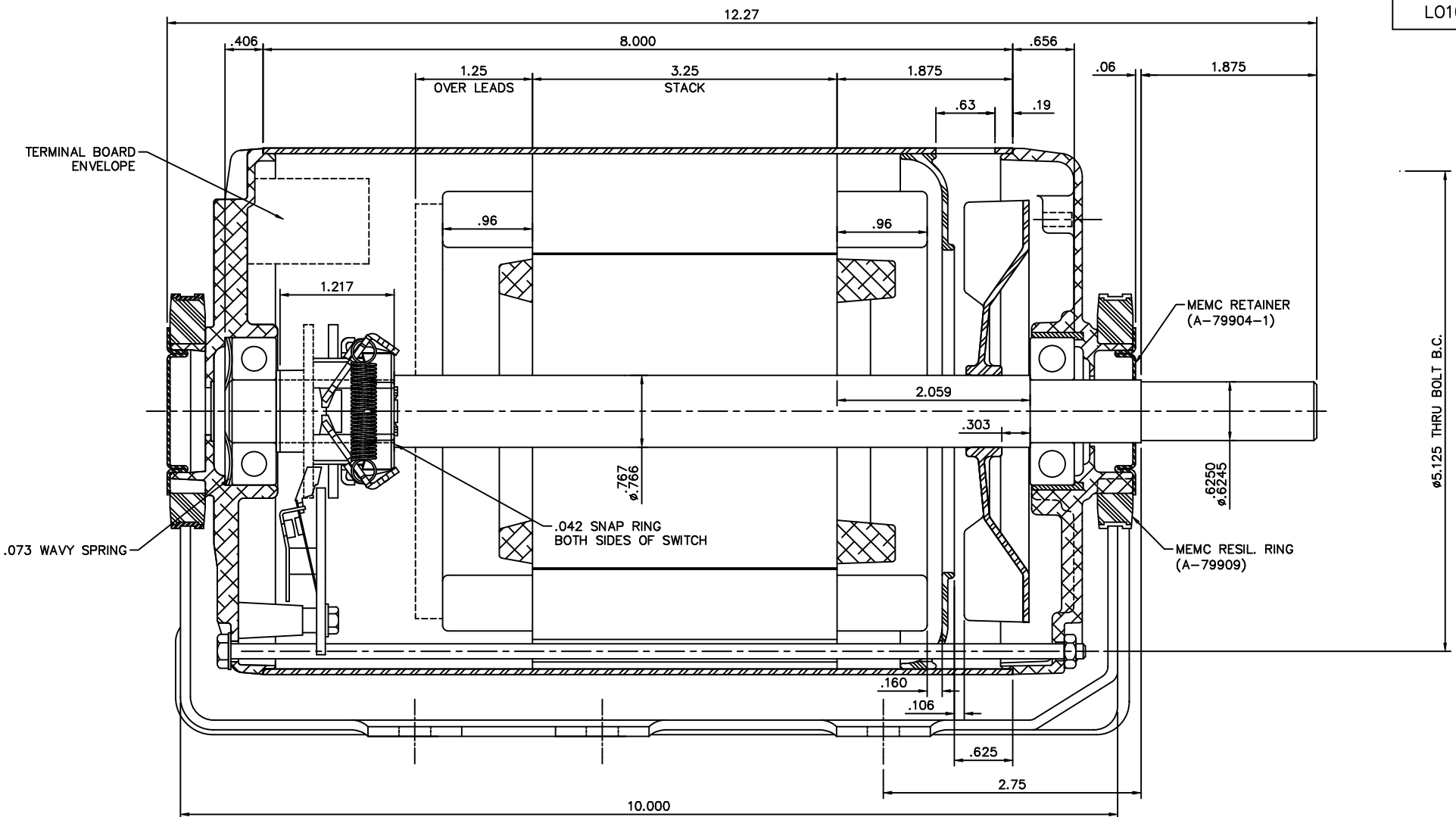


L0101021



		TOLERANCES UNLESS SPECIFIED		<b>LEESON</b> ELECTRIC MOTORS GEARMOTORS AND DRIVES		DRAWN KMM 03/10/04	
		DEC.	INCHES			CHK	
		.X	±.1	TITLE LAYOUT - S56H FRAME DRIP PROOF - 1 PHASE - RESILIENT		APPD	SCALE 1=1
		.XX	±.01	REF		FMF	101021.00
		.XXX	±.005	PREV			
01	FRAME DESIGNATION WAS S56	KMM 03/15/04	.XXXX	±.0005	MATERIAL		
NO.	REVISION	BY & DATE	CHK	ANG	±1/2"	FINISH	
THIS DRAWING IN DESIGN AND DETAIL IS OUR PROPERTY AND MUST NOT BE USED EXCEPT IN CONNECTION WITH OUR WORK ALL RIGHTS OF DESIGN AND INVENTION ARE RESERVED THIS IS AN ELECTRONICALLY GENERATED DOCUMENT - DO NOT SCALE THIS PRINT				RFP	CAD FILE	L0101021	SIZE B
				DIST	DRAWING NO. L0101021		REV. 01