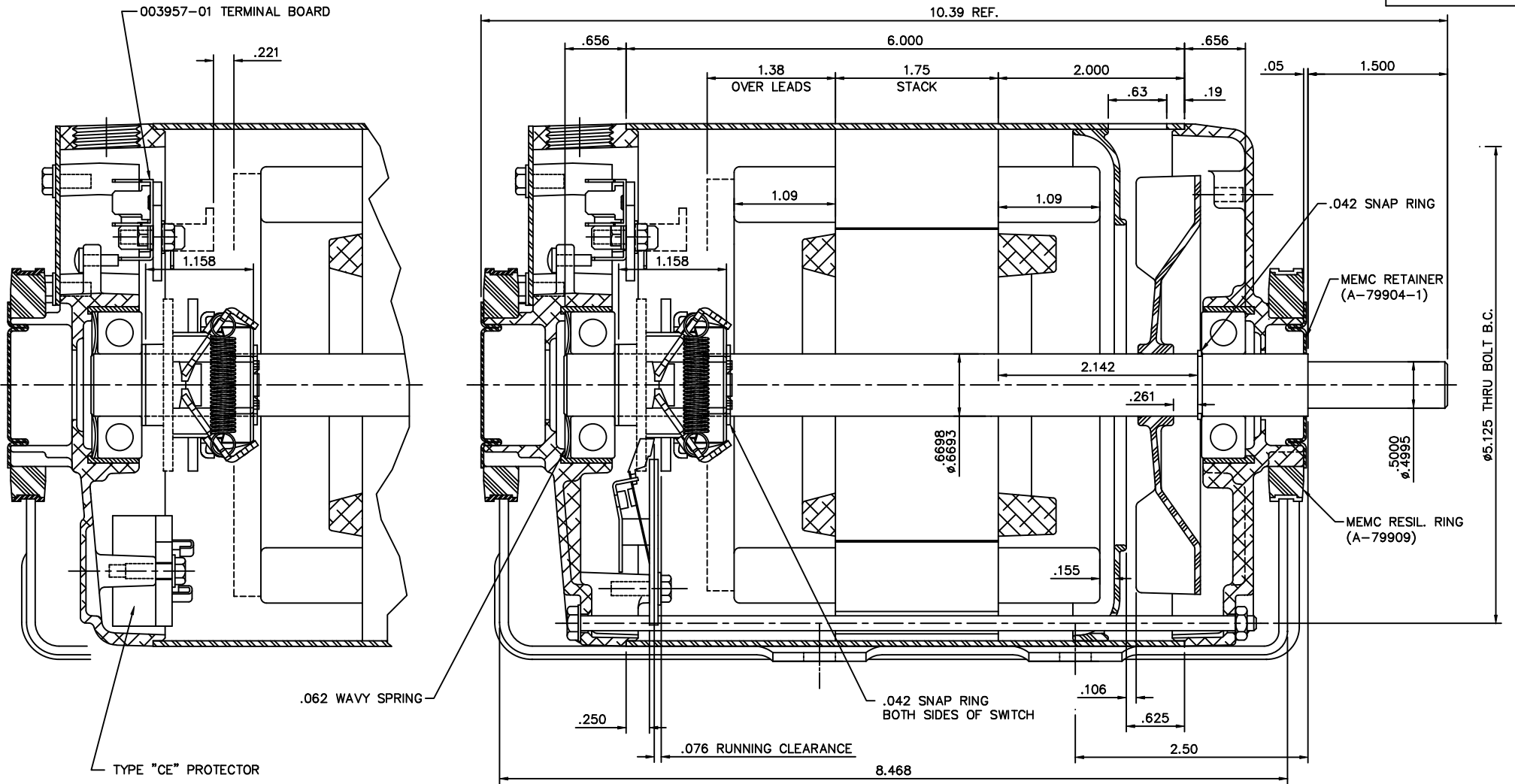


L0101405



		TOLERANCES UNLESS SPECIFIED		LEESON	ELECTRIC MOTORS GEARMOTORS AND DRIVES	DRAWN	PG 2/20/04
NO.	REVISION	BY & DATE	CHK			ANG	FINISH
			DEC.	INCHES	TITLE	LAYOUT - 48 FRAME	CHK
			.X	±.1	DRIP PROOF - 1 PHASE - RESILIENT	APPD	SCALE 1=1
			.XX	±.01	ENDBELLS: 020086, 020093	REF	L0100110
			.XXX	±.005		FMF	101405.00
			.XXXX	±.0005		PREV	
			RFP	±1/2"	CAD FILE	L0101405	SIZE
THIS DRAWING IN DESIGN AND DETAIL IS OUR PROPERTY AND MUST NOT BE USED EXCEPT IN CONNECTION WITH OUR WORK ALL RIGHTS OF DESIGN AND INVENTION ARE RESERVED THIS IS AN ELECTRONICALLY GENERATED DOCUMENT - DO NOT SCALE THIS PRINT						DRAWING NO.	L0101405
			DIST			B	REV.