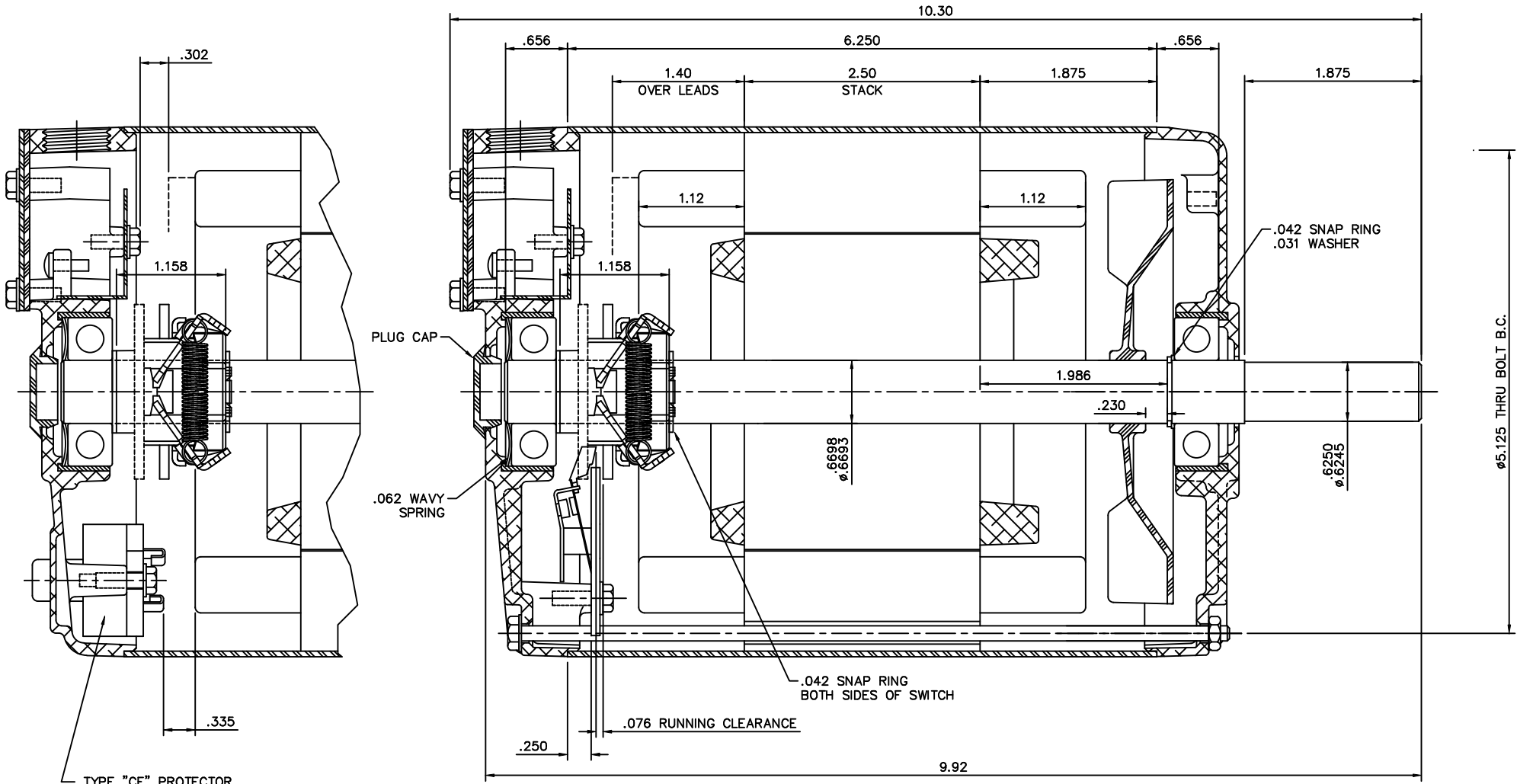



L0102913



		TOLERANCES UNLESS SPECIFIED		 ELECTRIC MOTORS GEARMOTORS AND DRIVES	DRAWN PG 3/31/04
	DEC.	INCHES			CHK
	.X	±.1			APPD
	.XX	±.01			SCALE 1=1
	.XXX	±.005			REF L0102869
	.XXXX	±.0005		FMF 102913.00	
NO.	REVISION	BY & DATE	CHK ANG ±1/2"	FINISH STANDARD	PREV
THIS DRAWING IN DESIGN AND DETAIL IS OUR PROPERTY AND MUST NOT BE USED EXCEPT IN CONNECTION WITH OUR WORK ALL RIGHTS OF DESIGN AND INVENTION ARE RESERVED THIS IS AN ELECTRONICALLY GENERATED DOCUMENT - DO NOT SCALE THIS PRINT				RFP	CAD FILE L0102913
				DIST	SIZE B DRAWING NO. L0102913
					REV.