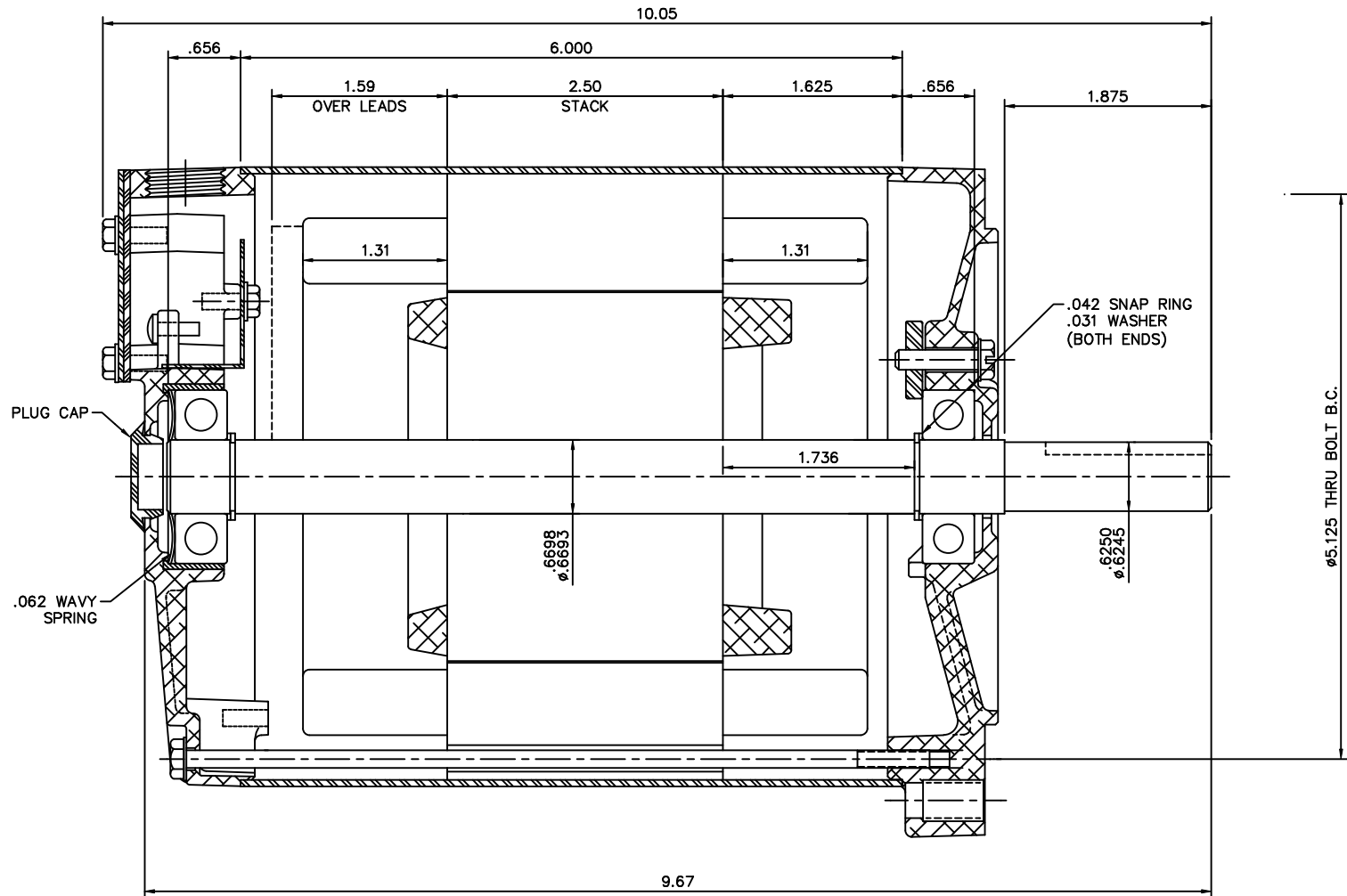



L0102919



TOLERANCES UNLESS SPECIFIED		DEC.		INCHES			ELECTRIC MOTORS GEARMOTORS AND DRIVES		DRAWN PG 3/30/04		
.X	±.1								CHK		
.XX	±.01					TITLE		APPD	SCALE 1=1		
.XXX	±.005					ENCLOSED - 3 PHASE - "C" FACE MOUNT		REF	L0102861		
.XXXX	±.0005					MAT'L		FMF	102919.00		
NO.	REVISION	BY & DATE	CHK	ANG	±1/2"	FINISH	STANDARD	PREV			
THIS DRAWING IN DESIGN AND DETAIL IS OUR PROPERTY AND MUST NOT BE USED EXCEPT IN CONNECTION WITH OUR WORK ALL RIGHTS OF DESIGN AND INVENTION ARE RESERVED THIS IS AN ELECTRONICALLY GENERATED DOCUMENT - DO NOT SCALE THIS PRINT						RFP	CAD FILE	L0102919	SIZE	DRAWING NO.	REV.
						DIST			B	L0102919	