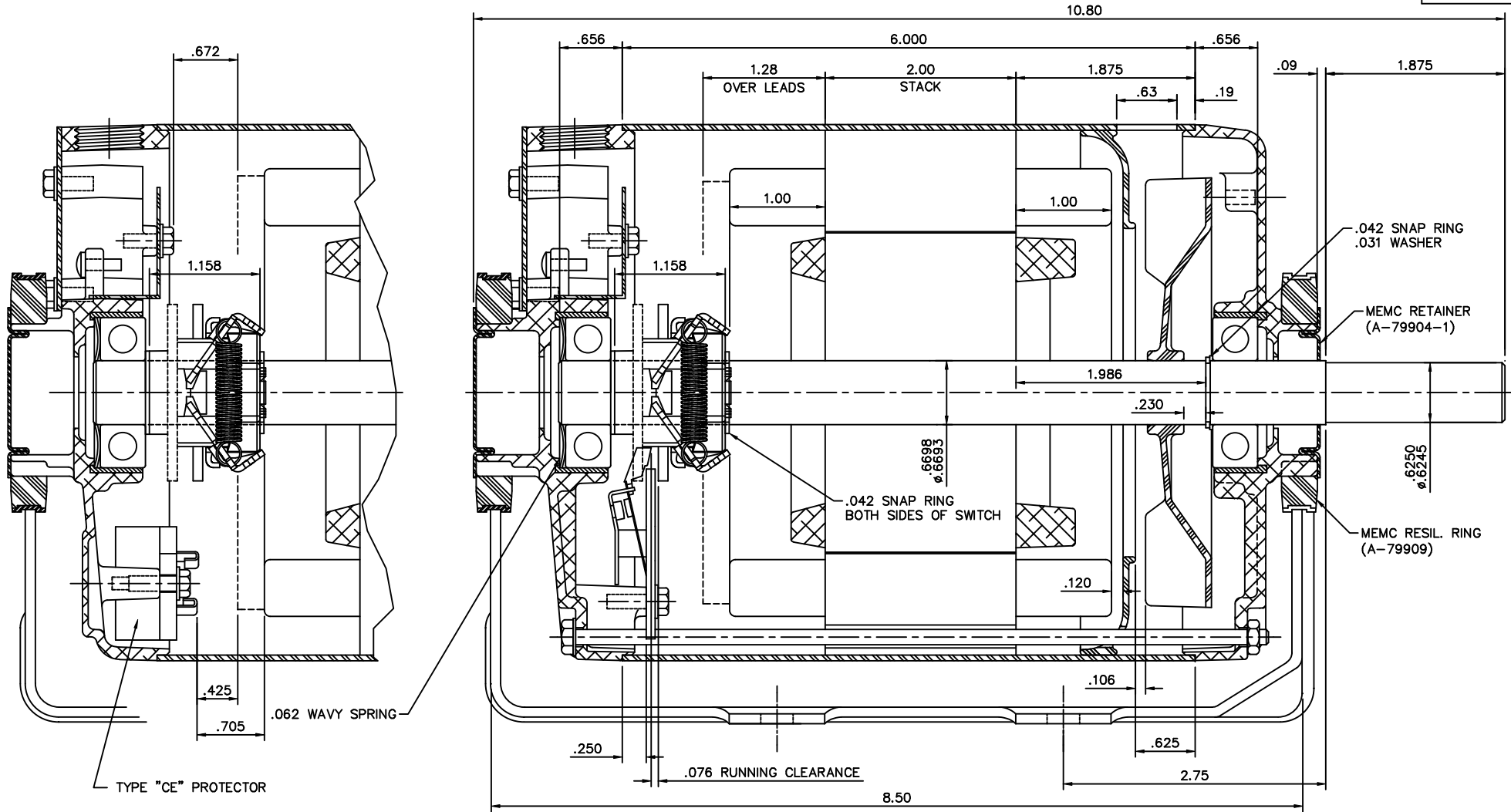


L0102965



TOLERANCES UNLESS SPECIFIED		LEESON		ELECTRIC MOTORS GEARMOTORS AND DRIVES		DRAWN KMM 11/12/04	
DEC.	INCHES	CHK	ANG	FINISH	CAD FILE	SIZE	DRAWING NO.
.X	±.1				L0102965	B	L0102965
.XX	±.01						
.XXX	±.005						
.XXXX	±.0005						
NO.	REVISION	BY & DATE	CHK	ANG	FINISH	REF	REV.
THIS DRAWING IN DESIGN AND DETAIL IS OUR PROPERTY AND MUST NOT BE USED EXCEPT IN CONNECTION WITH OUR WORK ALL RIGHTS OF DESIGN AND INVENTION ARE RESERVED THIS IS AN ELECTRONICALLY GENERATED DOCUMENT - DO NOT SCALE THIS PRINT							