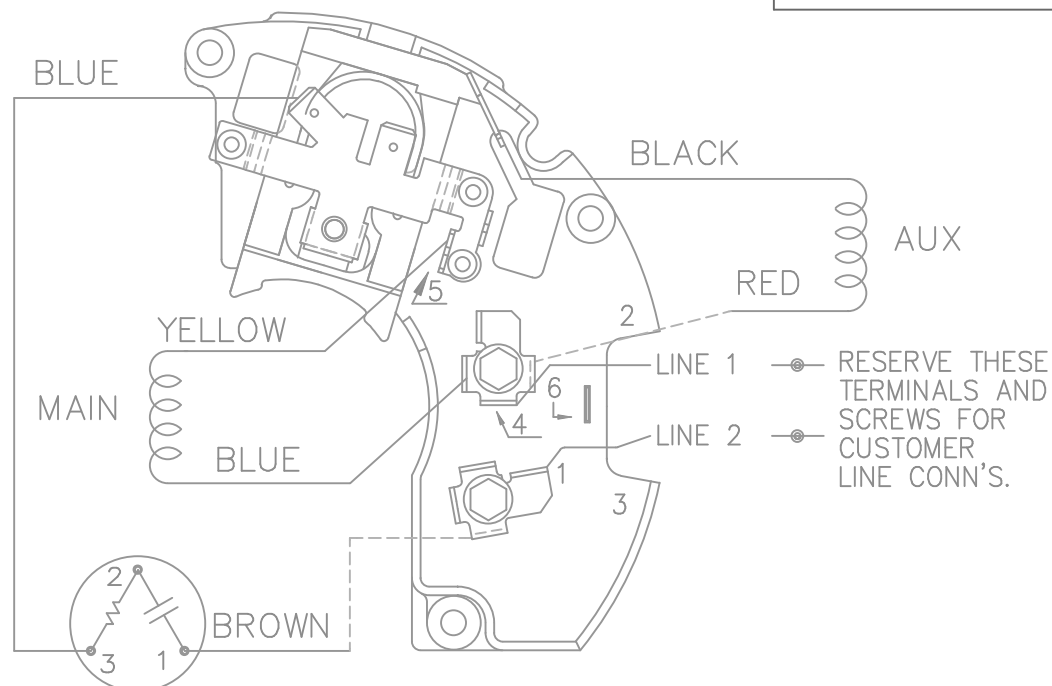
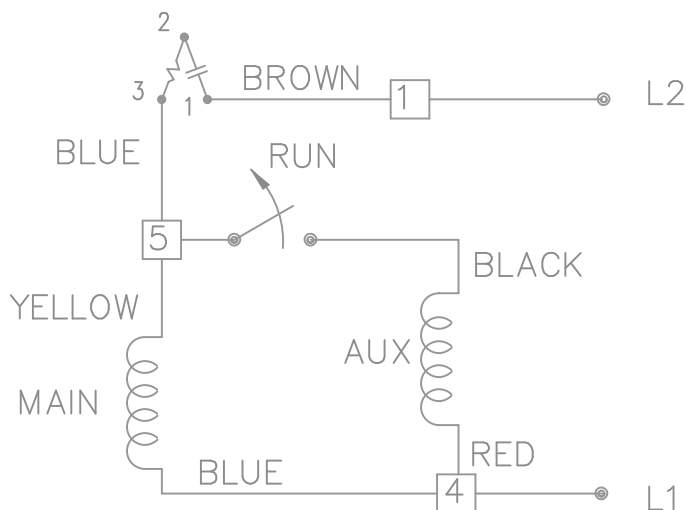


SINGLE VOLTAGE - SPLIT PHASE  
 REVERSIBLE ON TERM BOARD  
 WITH OVERLOAD PROTECTION




VIEWING TERMINAL END

C.C.W. ROTATION SHOWN.

FOR C.W. ROTATION INTERCHANGE  
 YELLOW & BLUE LEADS ON TERM 5 & 4.

DASH LINES INDICATE LEADS CONNECTED  
 TO MOTOR SIDE OF SWITCH.

				TOLERANCES UNLESS SPECIFIED		 ELECTRIC MOTORS GEARMOTORS AND DRIVES	DRAWN HLB 02-24-2004			
				DEC.	INCHES		CHK ML 02-25-2004			
				.X	± -		APPD JET 02-25-2004			
				.XX	± -		SCALE			
				.XXX	± -	TITLE CONNECTION DIADRAM 48 FR. SINGLE VOLTAGE REVERSIBLE	REF MU49976			
1	CORRECTED PROTECTOR NUMBERS	RJW 02-21-2008	MG	.XXXX	± -	MAT'L.	FMF A4S17DR59A			
NO.	REVISION	BY & DATE	CHK	ANG	± -	FINISH	PREV			
THIS DRAWING IN DESIGN AND DETAIL IS OUR PROPERTY AND MUST NOT BE USED EXCEPT IN CONNECTION WITH OUR WORK ALL RIGHTS OF DESIGN AND INVENTION ARE RESERVED THIS IS AN ELECTRONICALLY GENERATED DOCUMENT - DO NOT SCALE THIS PRINT				RFP	02-25-2004	CAD FILE ee7195_le	SIZE A	DRAWING NO. EE7195-LE	PAGE OF 1	REV. 1
				DIST	WP					