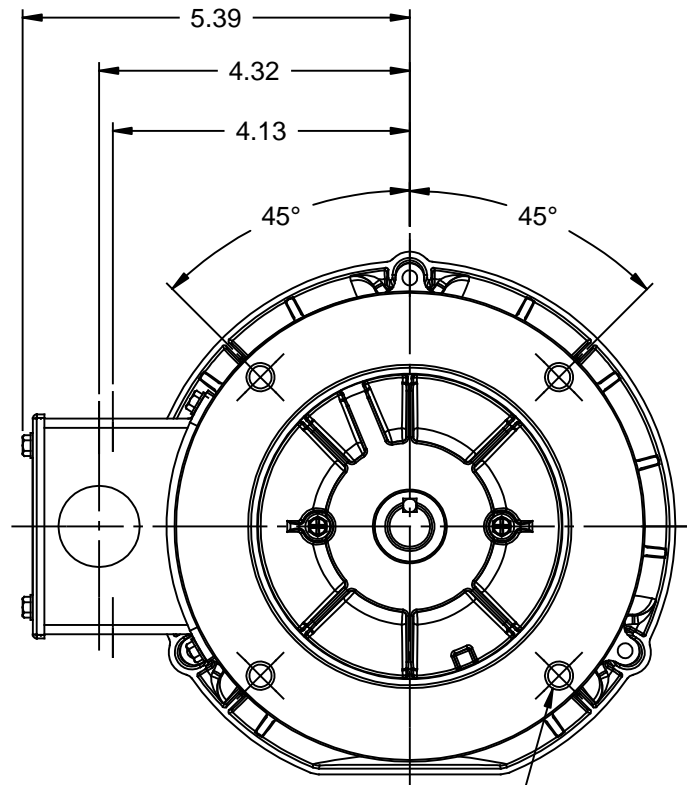
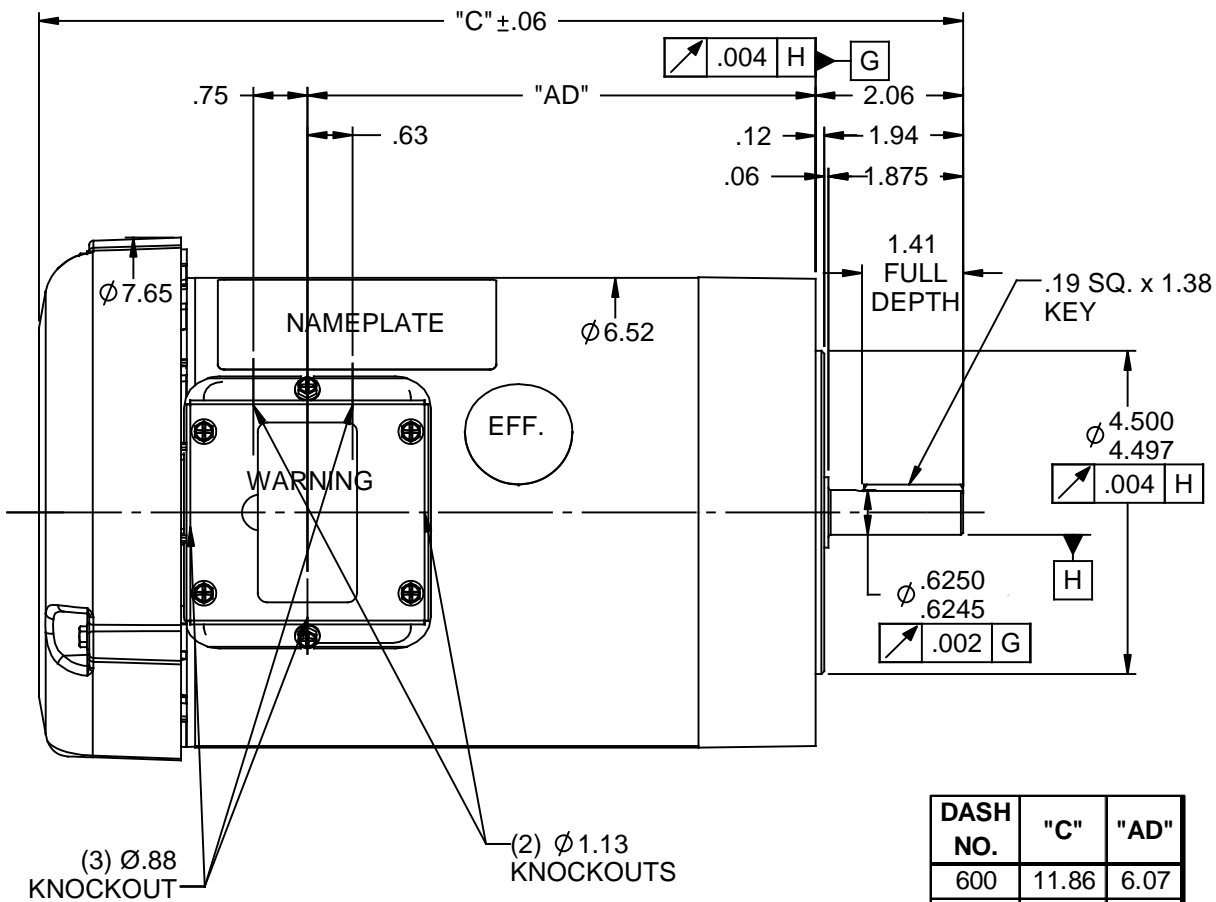


This document is the property of REGAL BELOIT CORPORATION ("RBC") including its subsidiaries and divisions and contains proprietary information of RBC. This document is loaned on the express condition that neither it nor the information contained therein shall be disclosed to others without the express written consent of RBC, and that the information shall be used by the recipient only as approved expressly by RBC. This document shall be returned to RBC upon its request. This document may be subject to certain restrictions under U.S. export control laws and regulations.



DASH NO.	"C"	"AD"
600	11.86	6.07
650	12.36	6.57
700	12.86	7.07
750	13.36	7.57
800	13.86	8.07

NOTE:  
1) GASKETS THROUGHOUT

			TOLERANCES UNLESS SPECIFIED			ELECTRIC MOTORS GEARMOTORS AND DRIVES	DRAWN KMM 08/13/07
			DEC	INCHES			CHK
			.X	±.1			APPR
			.XX	±.03	TITLE OUTLINE - 56C FRAME TEFC - "C" FACE		SCALE 3:8
02	CORRECTION - REMOVED DRAINS IN C-FACE ISAAC 10-3495	SAD 8/11/2010	GWS	.XXX ±.005			REF OL111273
01	REVISED GD&T POSITIONING & CALLOUT	KMM 8/27/07		.XXXX ±.0005	MAT'L		FMF 111273.00
NO	REVISION	BY & DATE	CHK	ANG ±1/2°	FINISH GENERAL PURPOSE		PAGE OF
THIRD ANGLE PROJECTION			RFP	PREV	SIZE	DRAWING NO	REV
			NETWORK FILE NAME 028782		A	028782	02