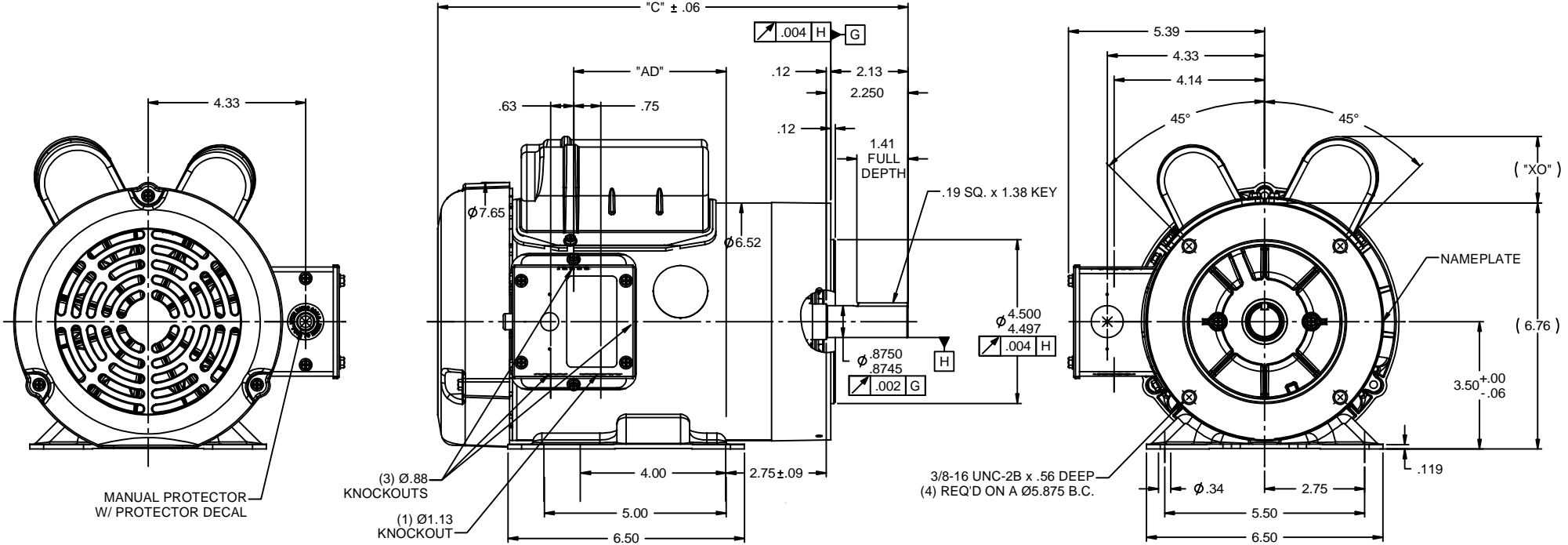


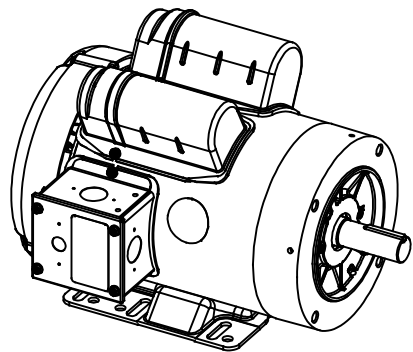
RBC PROPRIETARY AND CONFIDENTIAL INFORMATION
 This document is the property of REGAL BELOIT CORPORATION ("RBC") including its subsidiaries and divisions and contains proprietary information of RBC. This document is loaned on the express condition that neither it nor the information contained therein shall be disclosed to others without the express written consent of RBC, and that the information shall be used by the recipient only as approved expressly by RBC. This document shall be returned to RBC upon its request. This document may be subject to certain restrictions under U.S. export control laws and regulations.



MANUAL PROTECTOR
 W/ PROTECTOR DECAL

(3) Ø.88
 KNOCKOUTS
 (1) Ø1.13
 KNOCKOUT

3/8-16 UNC-2B x .56 DEEP
 (4) REQ'D ON A Ø5.875 B.C.



DASH NO.	"C"	"AD"	CAP DASH	"XO"
700	12.93	4.19	A	1.15
750	13.43	4.69	B	1.60
800	13.93	5.19	C	1.82
850	14.43	5.69		

NOTE:
 1) GASKETS THROUGHOUT

TOLERANCES UNLESS SPECIFIED		LEESON	ELECTRIC MOTORS GEARMOTORS AND DRIVES	DRAWN KMM 10/11/07
DEC	INCHES			
x	±.1		APPR	
.xx	±.03	TITLE	SCALE	3:8
.xxx	±.005	OUTLINE - 140TC FRAME	REF	028590
.xxxX	±.0005	TEFC - RIGID "C" FACE	FMF	121060.00
NO	REVISION	BY & DATE	CHK ANG ±1/2"	FINISH
	THIRD ANGLE PROJECTION		RFP	PREV
			SIZE	DRAWING NO
			B	028804
			REV	