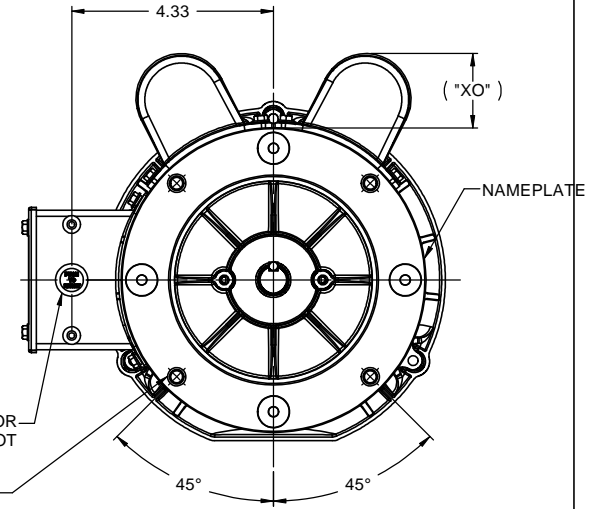
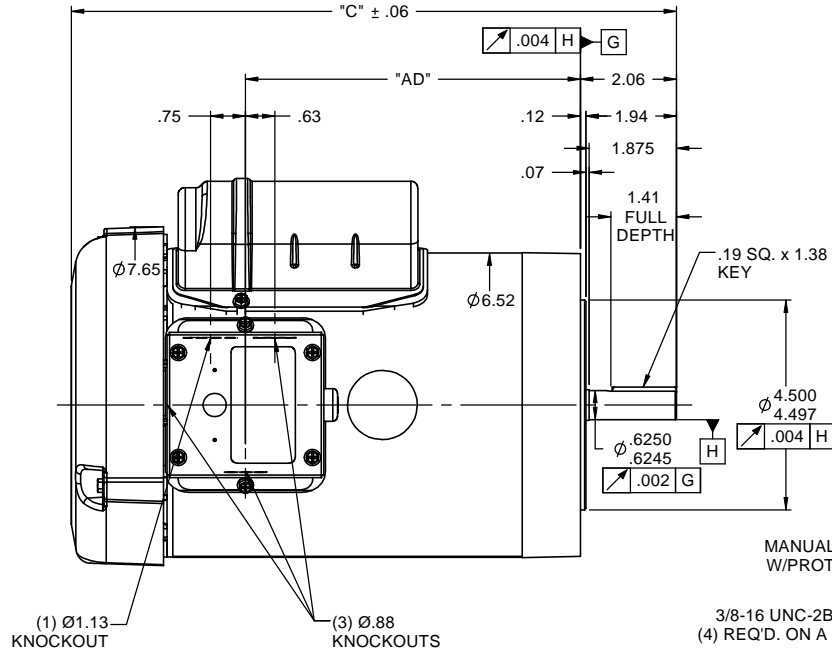
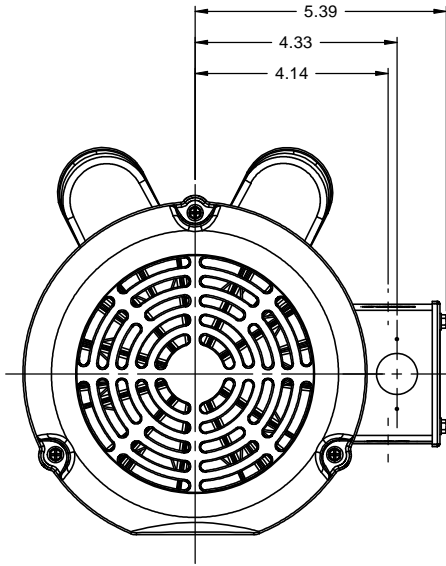
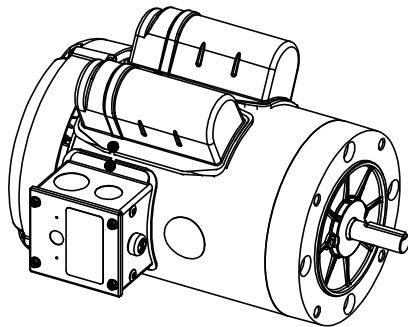


RBC PROPRIETARY AND CONFIDENTIAL INFORMATION
 This document is the property of REGAL BELOIT CORPORATION ("RBC") including its subsidiaries and divisions and contains proprietary information of RBC. This document is loaned on the express condition that neither it nor the information contained therein shall be disclosed to others without the express written consent of RBC, and that the information shall be used by the recipient only as approved expressly by RBC. This document shall be returned to RBC upon its request. This document may be subject to certain restrictions under U.S. export control laws and regulations.



(1) Ø1.13 KNOCKOUT
 (3) Ø.88 KNOCKOUTS

MANUAL PROTECTOR W/PROTECTOR BOOT
 3/8-16 UNC-2B x .56 DEEP
 (4) REQ'D. ON A Ø5.875 B.C.



DASH NO.	"C"	"AD"	CAP DASH	"XO"
700	12.49	6.69	A	1.15
750	12.99	7.19	B	1.60
800	13.49	7.69	C	1.82
850	13.99	8.19		

NOTES:
 1) GASKETS THROUGHOUT

TOLERANCES UNLESS SPECIFIED		TITLE	ELECTRIC MOTORS GEARMOTORS AND DRIVES	DRAWN	KMM 10/11/07			
DEC	INCHES					OUTLINE - 56C FRAME	CHK	
X	±.1	TEFC - "C" FACE <td rowspan="4">REF <td rowspan="4">APPR <td rowspan="4">SCALE</td> </td></td>	REF <td rowspan="4">APPR <td rowspan="4">SCALE</td> </td>	APPR <td rowspan="4">SCALE</td>	SCALE			
XX	±.03					3:8		
XXX	±.005					OL110042.00		
XXXX	±.0005					110042.00		
NO	REVISION	BY & DATE	CHK	LANG	±1/2"	FINISH	PAGE	OF
THIRD ANGLE PROJECTION			RFP	PREV	SIZE	DRAWING NO	REV	
			NETWORK FILE NAME		B	028806		