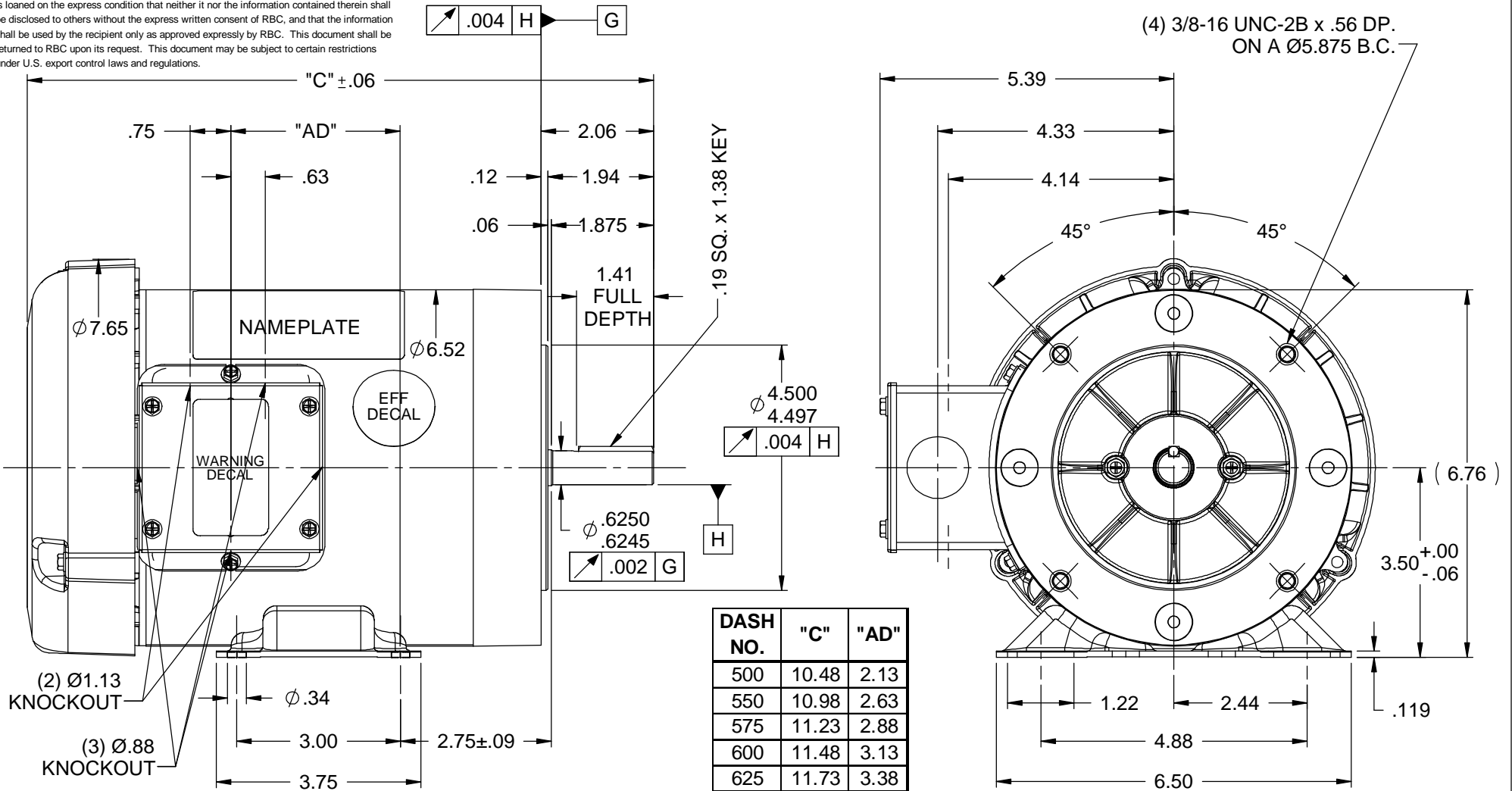


RBC PROPRIETARY AND CONFIDENTIAL INFORMATION

This document is the property of REGAL BELOIT CORPORATION ("RBC") including its subsidiaries and divisions and contains proprietary information of RBC. This document is loaned on the express condition that neither it nor the information contained therein shall be disclosed to others without the express written consent of RBC, and that the information shall be used by the recipient only as approved expressly by RBC. This document shall be returned to RBC upon its request. This document may be subject to certain restrictions under U.S. export control laws and regulations.



NOTE:
1) GASKETS THROUGHOUT

		TOLERANCES UNLESS SPECIFIED		LEESON	ELECTRIC MOTORS GEARMOTORS AND DRIVES	DRAWN
		DEC	INCHES			KMM 08/14/07
		.X	$\pm .1$			CHK
03	ADDED ITEM #625 (110918.00)	GRB11/17/2008	.XX	$\pm .03$	TITLE	APPR
02	ADDED DASH 575 PER ISAAC 08-4485	DJ 10/8/2008	.XXX	$\pm .005$	OUTLINE - 56C FRAME	SCALE 3:8
01	REVISED GD&T POSITIONING & CALLOUT	KMM8/27/07	.XXX	$\pm .0005$	TEFC - RIGID "C" FACE	REF 028509
NO	REVISION	BY & DATE	CHK	ANG	MAT'L	FMF 110918.00
				$\pm 1/2^\circ$	FINISH GENERAL PURPOSE	PAGE OF
THIRD ANGLE PROJECTION				RFP	PREV	SIZE
				NETWORK FILE NAME	028784	DRAWING NO
						A
						028784
						REV
						03