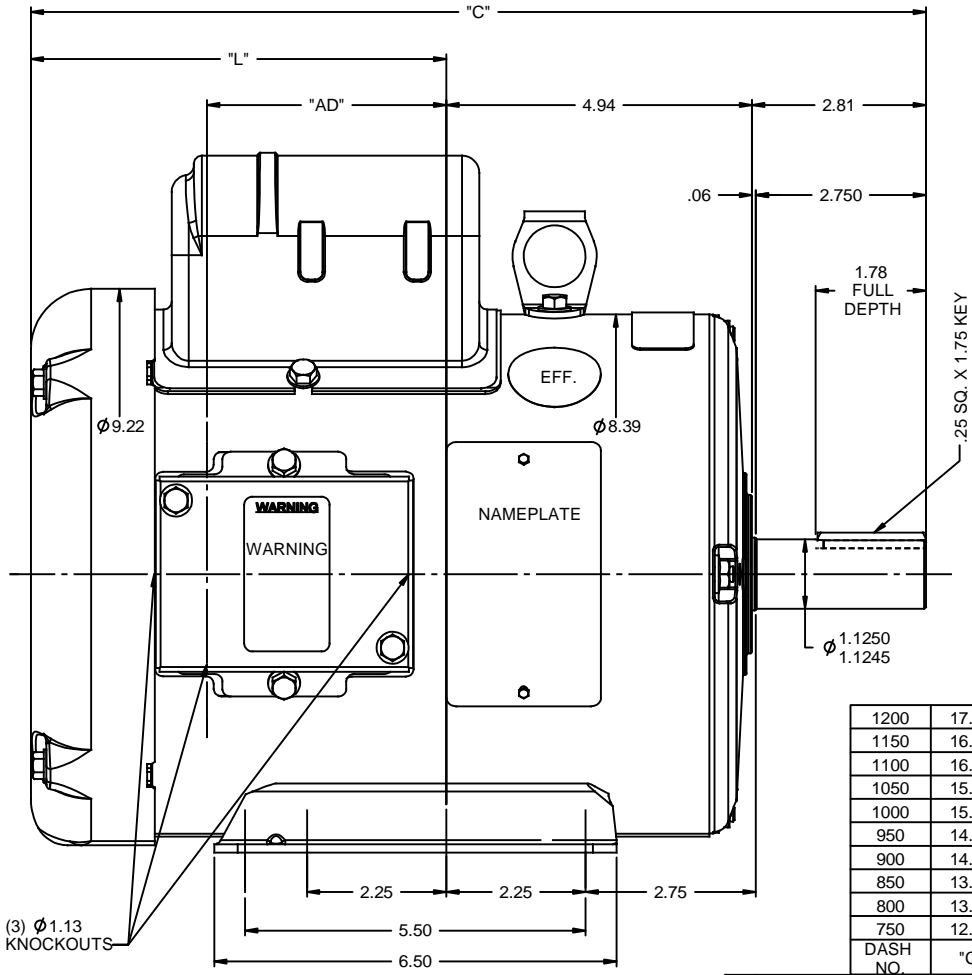
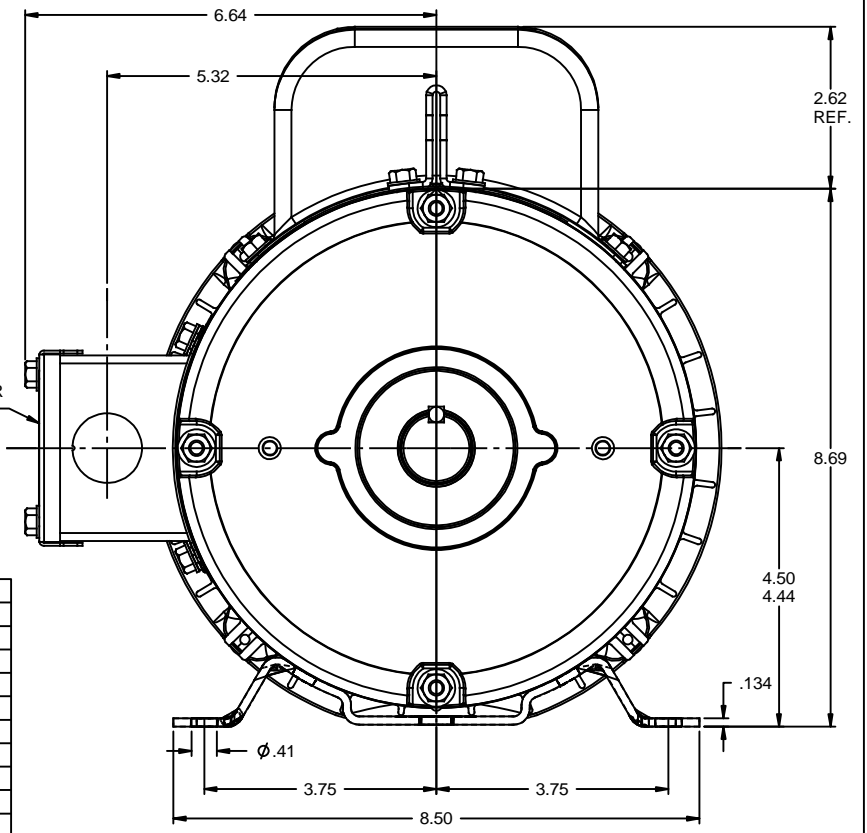
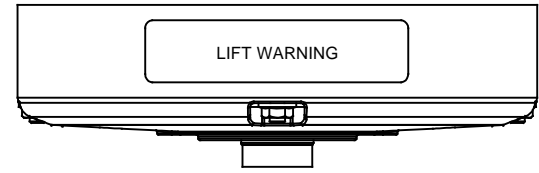


RBC PROPRIETARY AND CONFIDENTIAL INFORMATION
 This document is the property of REGAL BELOIT CORPORATION ("RBC") including its subsidiaries and divisions and contains proprietary information of RBC. This document is loaned on the express condition that neither it nor the information contained therein shall be disclosed to others without the express written consent of RBC, and that the information shall be used by the recipient only as approved expressly by RBC. This document shall be returned to RBC upon its request. This document may be subject to certain restrictions under U.S. export control laws and regulations.



1200	17.46	9.71	6.50
1150	16.96	9.21	6.00
1100	16.46	8.71	5.50
1050	15.46	8.21	5.00
1000	15.46	7.71	4.50
950	14.96	7.21	4.00
900	14.46	6.71	3.50
850	13.96	6.21	3.00
800	13.46	5.71	2.50
750	12.96	5.21	2.00
DASH NO.	"C"	"L"	"AD"

DECAL-
CONNECTION
UNDER COVER
WHEN REQ'D.



GASKETS THROUGHOUT

NO		REVISION	BY & DATE	CHK	ANG	FINISH	FINISH	PAGE	OF
		THIRD ANGLE PROJECTION		RFP	PREV	PREV		SIZE	DRAWING NO
								B	035717
									REV

TOLERANCES UNLESS SPECIFIED		REGAL BELOIT CORPORATION		DRAWN
DEC	INCHES			LST 2/19/09
X	±.1			CHK
XX	±.03	TITLE OUTLINE 180T FRAME		APPR
XXX	±.005	TEFC - RIGID		SCALE 1:2
XXXX	±.0005	MAT'L		REF
				FMF
				PAGE
				OF
				REV