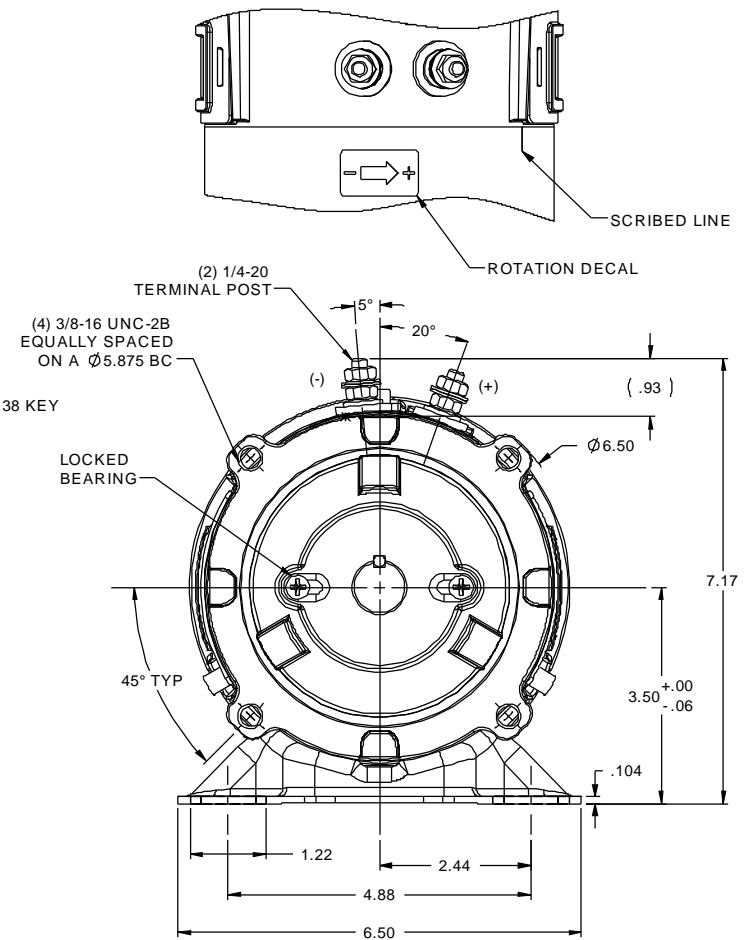
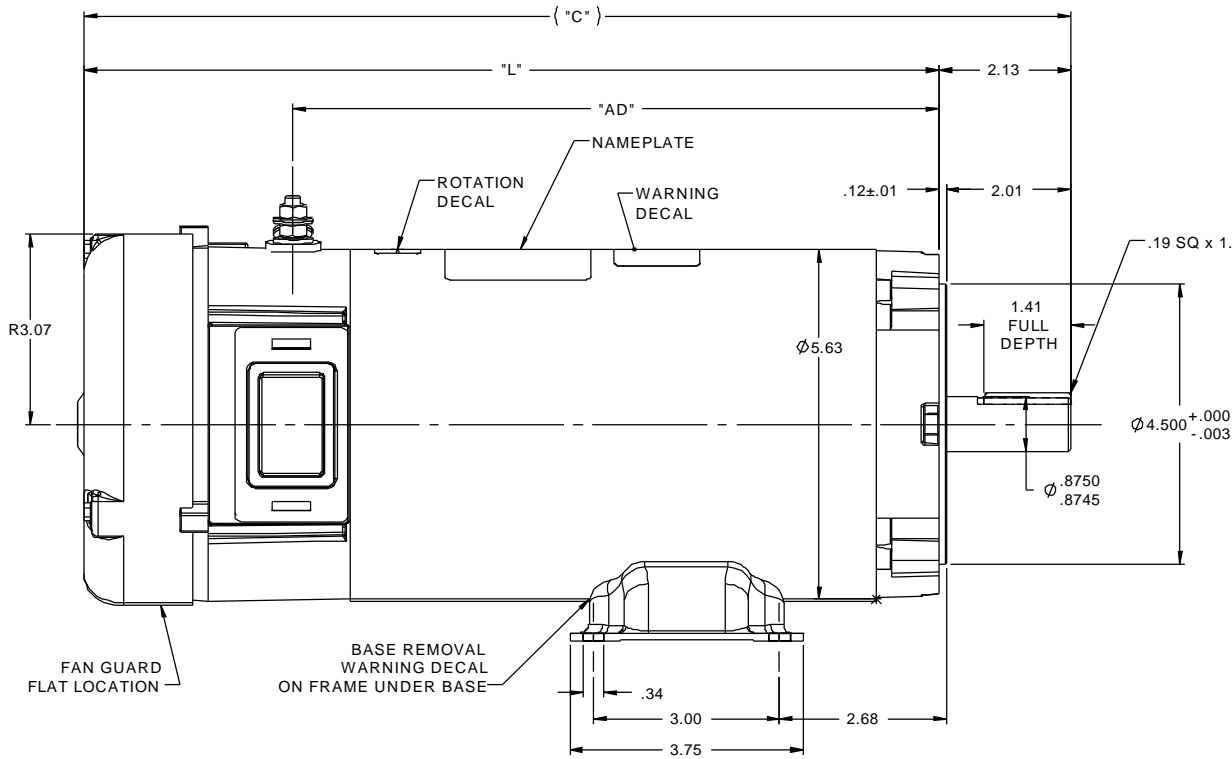
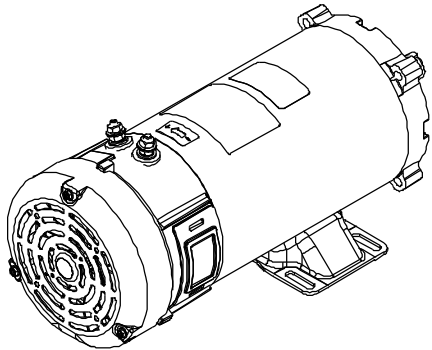


RBC PROPRIETARY AND CONFIDENTIAL INFORMATION  
 This document is the property of REGAL BELOIT CORPORATION ("RBC") including its subsidiaries and divisions and contains proprietary information of RBC. This document is loaned on the express condition that neither the information contained therein shall be disclosed to others without the express written consent of RBC, and that the information shall be used by the recipient only as approved expressly by RBC. This document shall be returned to RBC upon request. This document may be subject to certain restrictions under U.S. export control laws and regulations.



- NOTES:  
 1) MAXIMUM FACE RUNOUT .004 T.I.R.  
 2) MAXIMUM PILOT ECCENTRICITY .004 T.I.R.  
 3) PERMISSIBLE SHAFT RUNOUT .002 T.I.R.  
 4) GASKETS THROUGHOUT.

109105.00	15.89	13.76	10.40	48	1 1/2	1800
109104.00	15.89	13.76	10.40	36	1 1/2	1800
CATALOG No.	"C"	"L"	"AD"	VOLTS	H.P.	RPM



		TOLERANCES UNLESS SPECIFIED		<b>LEESON</b> ELECTRIC MOTORS GEARMOTORS AND DRIVES		DRAWN RWS 4/6/09	
		DEC INCHES				CHK BC 4/6/09	
02	ADDED NOTE PER PFG REQUEST	JJM	10/18/2013	X	±.1	APPR	
01	ADDED NOTE ABOUT FAN GUARD FLAT LOCATION, ISAAC	IPG	12/10/2009	XX	±.03	SCALE 1:2	
	09-4813			XXX	±.005	REF 031886	
	RELEASED	RWS	4/6/2009	BC	XXXX ±.0005	FMF 109104.75	
NO	REVISION	BY & DATE	CHK	ANG	±1/2°	PAGE OF	
THIRD ANGLE PROJECTION		RFP		PREV		SIZE B	DRAWING NO 031935
		NETWORK FILE NAME 031935					REV 02