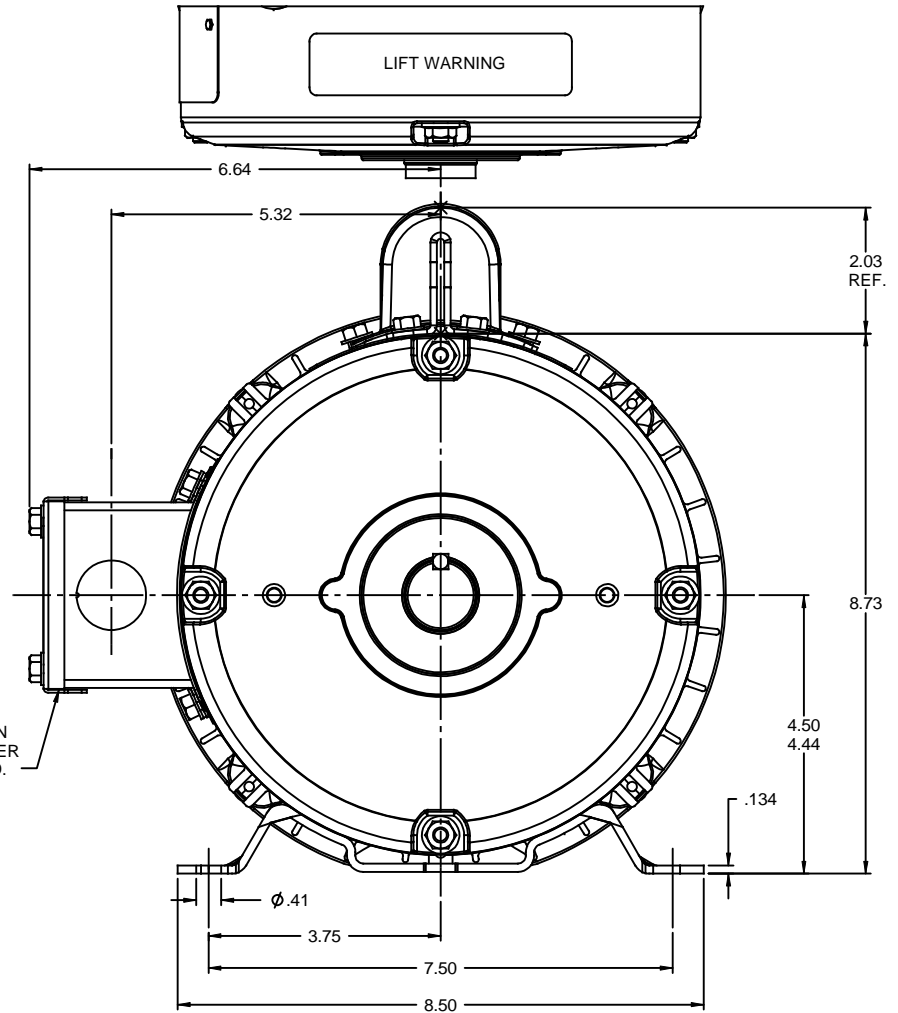
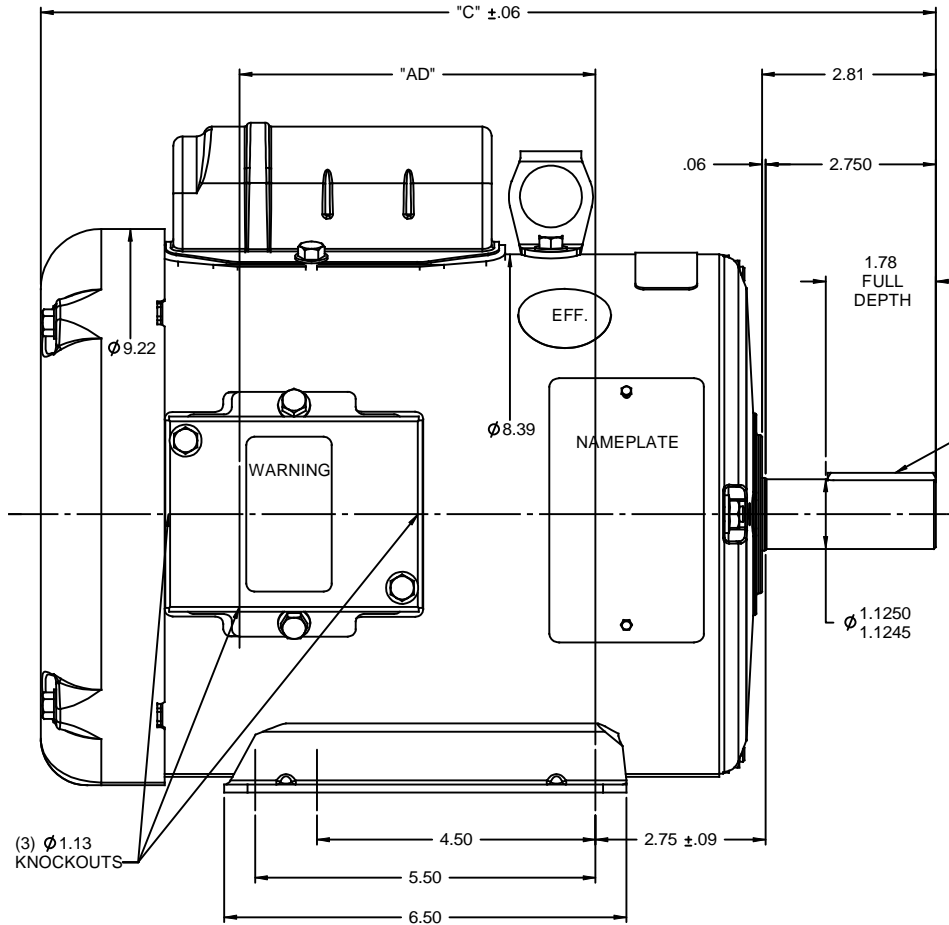


RBC PROPRIETARY AND CONFIDENTIAL INFORMATION
 This document is the property of REGAL BELOIT CORPORATION ("RBC") including its subsidiaries and divisions and contains proprietary information of RBC. This document is loaned on the express condition that neither it nor the information contained therein shall be disclosed to others without the express written consent of RBC, and that the information shall be used by the recipient only as approved expressly by RBC. This document shall be returned to RBC upon its request. This document may be subject to certain restrictions under U.S. export control laws and regulations.



DECAL-
CONNECTION
UNDER COVER
WHEN REQ'D.

GASKETS THROUGHOUT

| DASH NO. | "C" | "AD" |
|----------|-------|------|
| 800 | 13.46 | 4.75 |
| 850 | 13.96 | 5.25 |
| 900 | 14.46 | 5.75 |
| 950 | 14.96 | 6.25 |
| 1000 | 15.46 | 6.75 |
| 1050 | 15.96 | 7.25 |
| 1100 | 16.46 | 7.75 |
| 1150 | 16.96 | 8.25 |

| TOLERANCES UNLESS SPECIFIED | | | | REGAL BELOIT CORPORATION | DRAWN PG 6/15/97 | |
|-----------------------------------|--------|-------|--------|--------------------------|----------------------|------------|
| DEC | INCHES | XX | ±.03 | | CHK | RK 6/15/97 |
| | | X | ±.1 | | APPR | |
| | | .XX | ±.03 | TITLE | OUTLINE - 180T FRAME | SCALE 1:2 |
| | | .XXX | ±.005 | | TEFC - RIGID MOUNT | REF 035002 |
| | | .XXXX | ±.0005 | MATL | | FMF |
| - UPDATED & REDRAWN IN SOLIDWORKS | | | | LST 12/15/2009 | XX | ±.0005 |
| REVISION | | | | BY & DATE | CHK | ANG ±1/2° |
| THIRD ANGLE PROJECTION | | | | RFP | PREV | FINISH |
| | | | | SIZE | DRAWING NO | REV |
| | | | | B | 035347 | - |
| | | | | NETWORK FILE NAME | | |