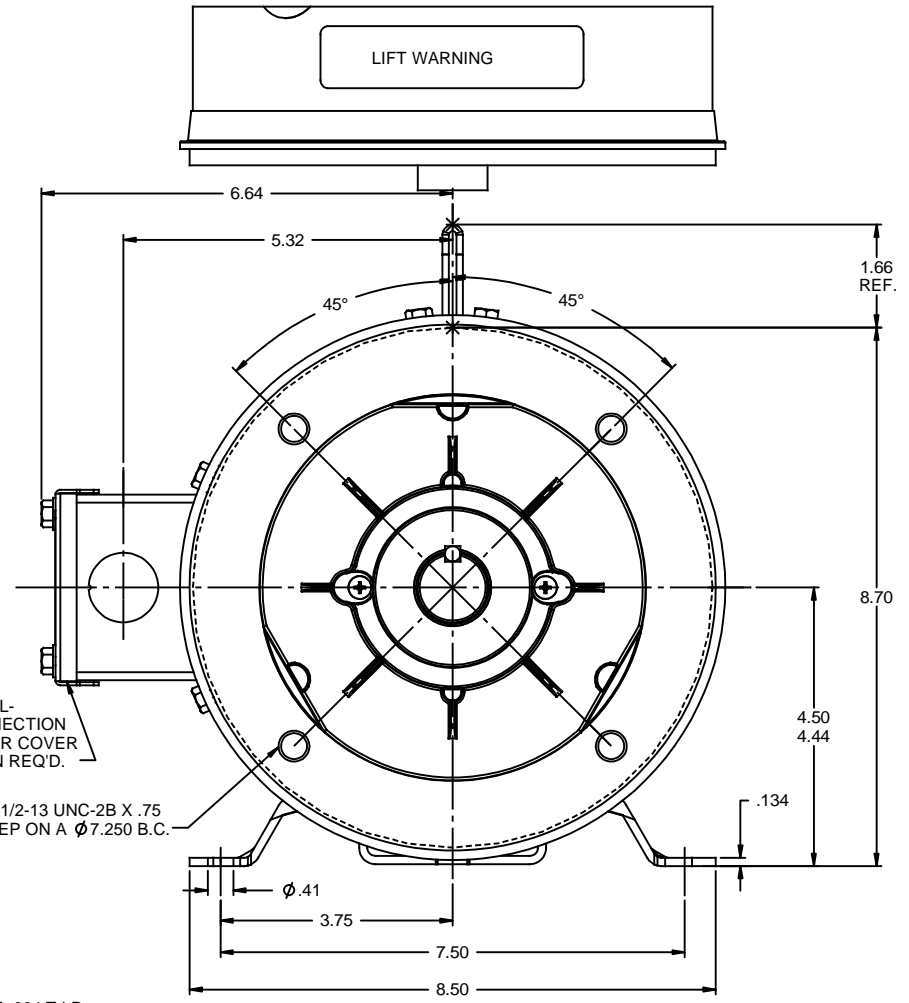
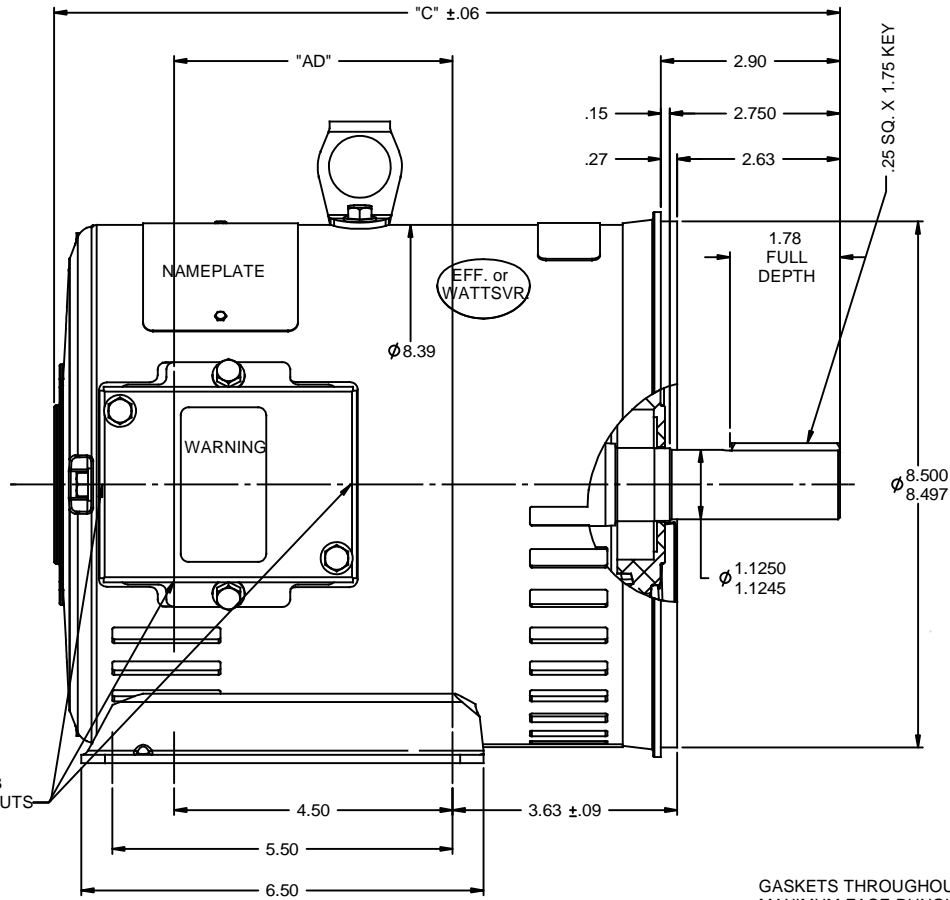


RBC PROPRIETARY AND CONFIDENTIAL INFORMATION  
 This document is the property of REGAL BELOIT CORPORATION ("RBC") including its subsidiaries and divisions and contains proprietary information of RBC. This document is loaned on the express condition that neither it nor the information contained therein shall be disclosed to others without the express written consent of RBC, and that the information shall be used by the recipient only as approved expressly by RBC. This document shall be returned to RBC upon its request. This document may be subject to certain restrictions under U.S. export control laws and regulations.



GASKETS THROUGHOUT  
 MAXIMUM FACE RUNOUT TO BE .004 T.I.R.  
 MAXIMUM PILOT ECCENTRICITY TO BE .004 T.I.R.  
 PERMISSIBLE SHAFT RUNOUT TO BE .002 T.I.R.

DASH NO.	"C"	"AD"
850	12.70	4.50
900	13.20	5.00
950	13.70	5.50
1000	14.20	6.00
1050	14.70	6.50
1100	15.20	7.00
1150	15.70	7.50
1200	16.20	8.00

		TOLERANCES UNLESS SPECIFIED		DRAWN LST 10/14/05	
		DEC INCHES		CHK RW 10/19/05	
		X ±.1		APPR KH 10/19/05	
		.XX ±.03		TITLE OUTLINE - 180TC FRAME	
01 ADDED DASH NO. 1200 (132244.00)		PG 9/20/2010		REF 035454	
- UPDATED & REDRAWN IN SOLIDWORKS		LST 12/18/2009		SCALE 1:2	
		XX .XXX ±.005		MATL	
		XX .XXX ±.0005		PAGE OF	
NO REVISION		BY & DATE		FINISH	
		CHK ANG ±1/2°		RFP	
THIRD ANGLE PROJECTION		RFP		PREV	
		NETWORK FILE NAME 035508		SIZE DRAWING NO	
				B 035508	
				REV	
				01	