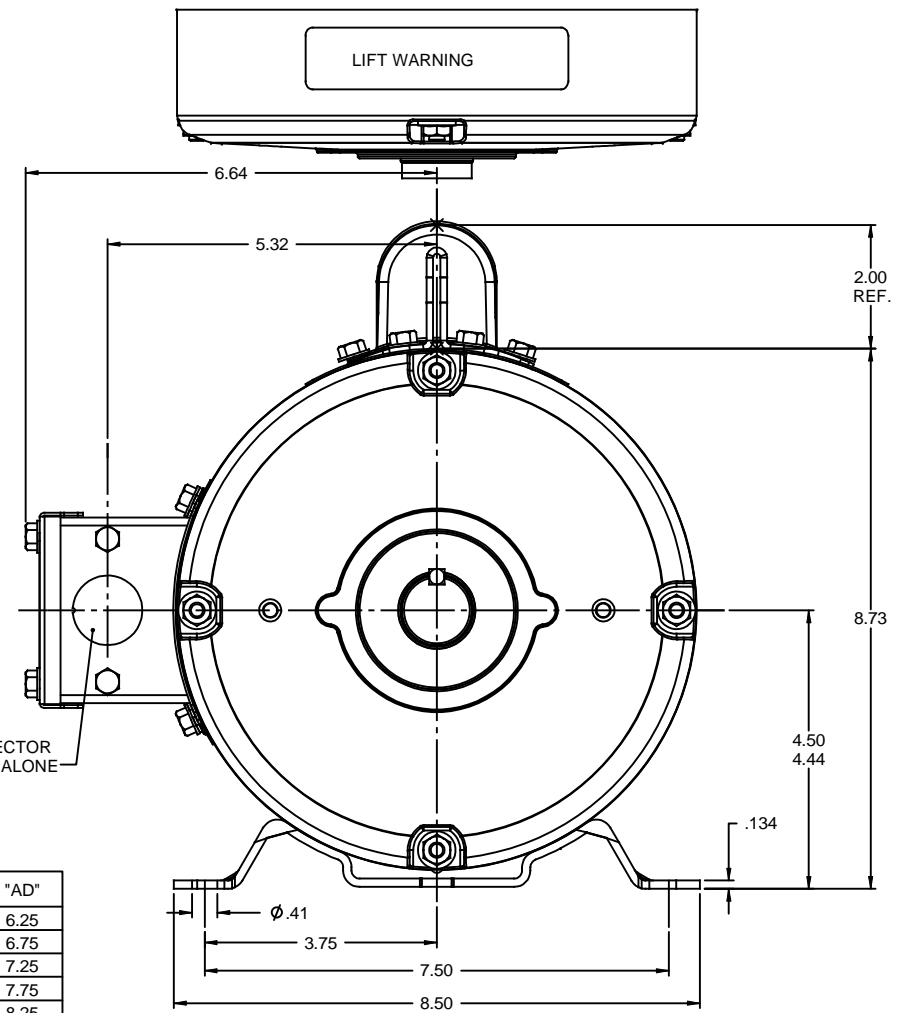
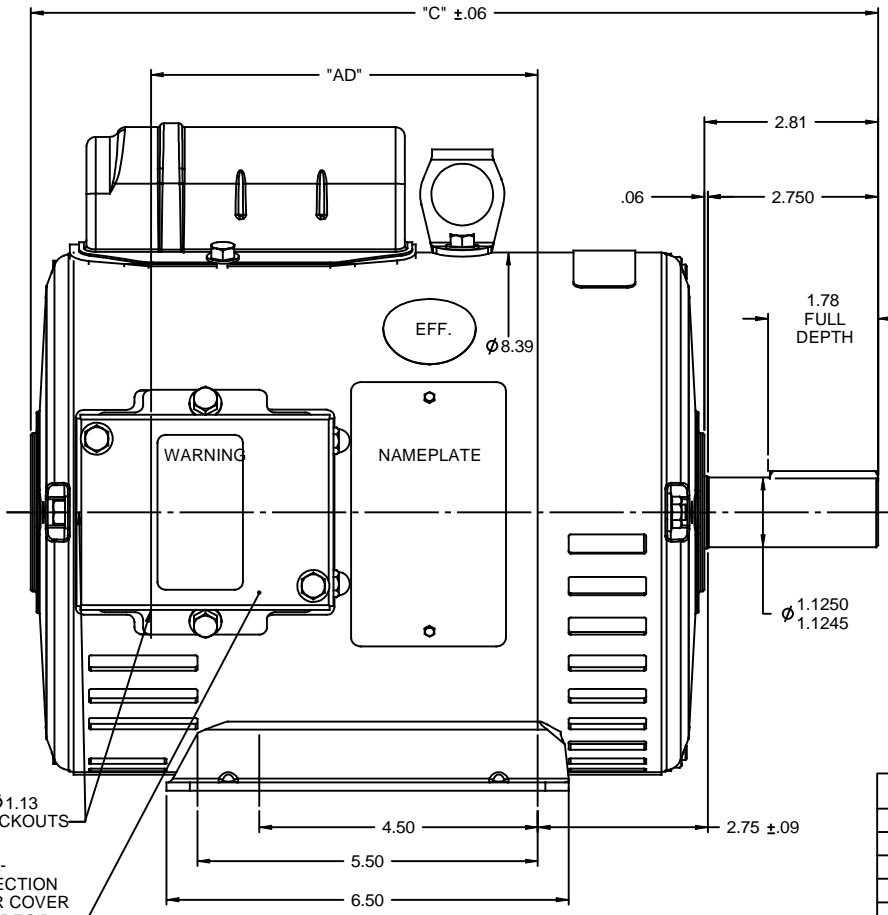


RBC PROPRIETARY AND CONFIDENTIAL INFORMATION
 This document is the property of REGAL BELOIT CORPORATION ("RBC") including its subsidiaries and divisions and contains proprietary information of RBC. This document is loaned on the express condition that neither it nor the information contained therein shall be disclosed to others without the express written consent of RBC, and that the information shall be used by the recipient only as approved expressly by RBC. This document shall be returned to RBC upon its request. This document may be subject to certain restrictions under U.S. export control laws and regulations.



DASH NO.	"C"	"AD"
950	13.69	6.25
1000	14.19	6.75
1050	14.69	7.25
1100	15.19	7.75
1150	15.69	8.25
1200	16.19	8.75
1250	16.69	9.25

GASKET THROUGHOUT

		TOLERANCES UNLESS SPECIFIED:		DRAWN DBT 11/13/97	
		DEC	INCHES	CHK	
		X	±.1	APPR	
		XX	±.03	TITLE OUTLINE - 180T FRAME	
		XXX	±.005	DRIP PROOF - RIGID MOUNT - 1 PH	
- UPDATED & REDRAWN IN SOLIDWORKS		LST 12/23/2009	XX XXXX ±.0005	MATL W/ AUTO. PROTECTOR	
NO		REVISION	BY & DATE	CHK ANG ±1/2°	FINISH
				RFP	PREV
				SIZE	DRAWING NO
				B	035392
				REV	-